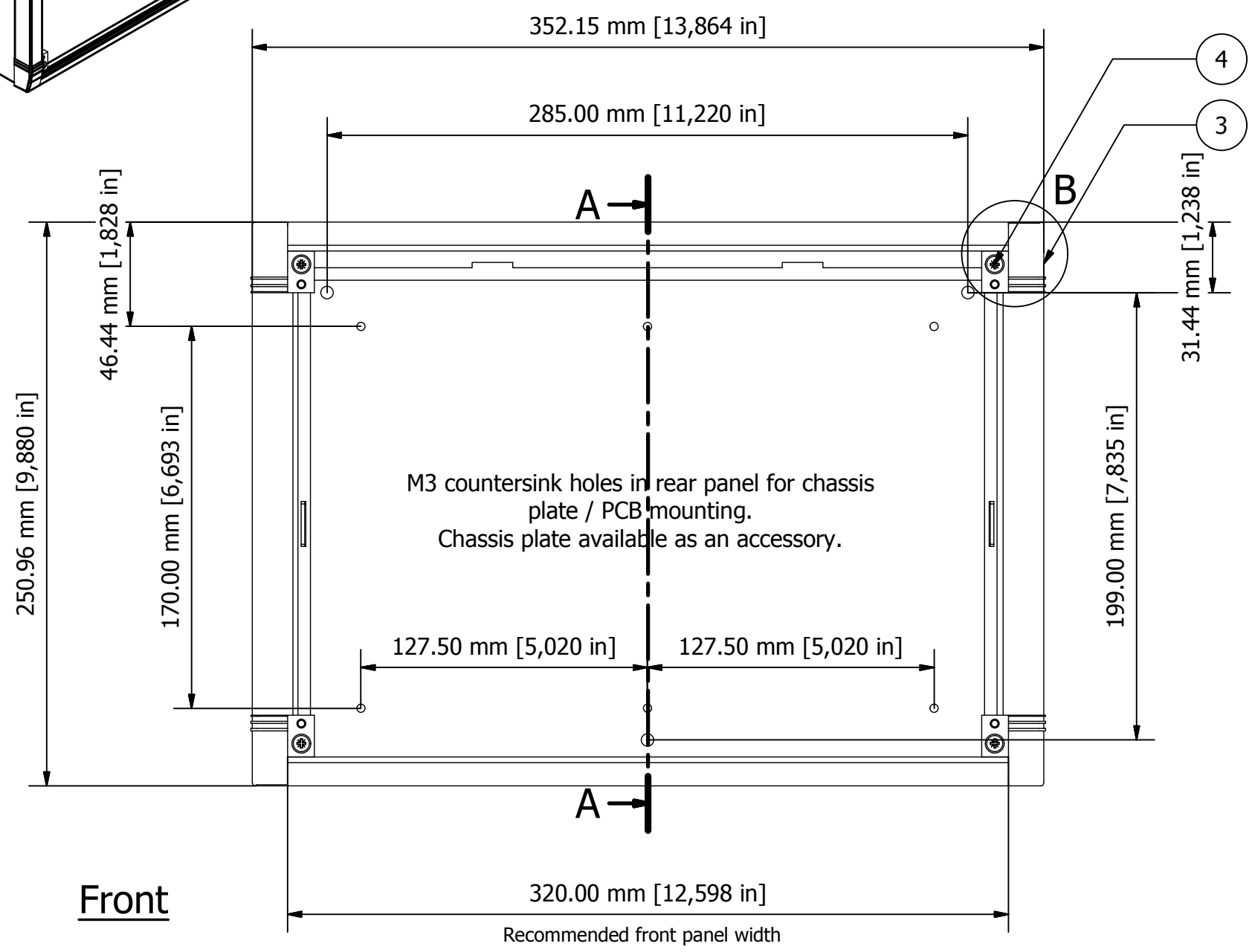
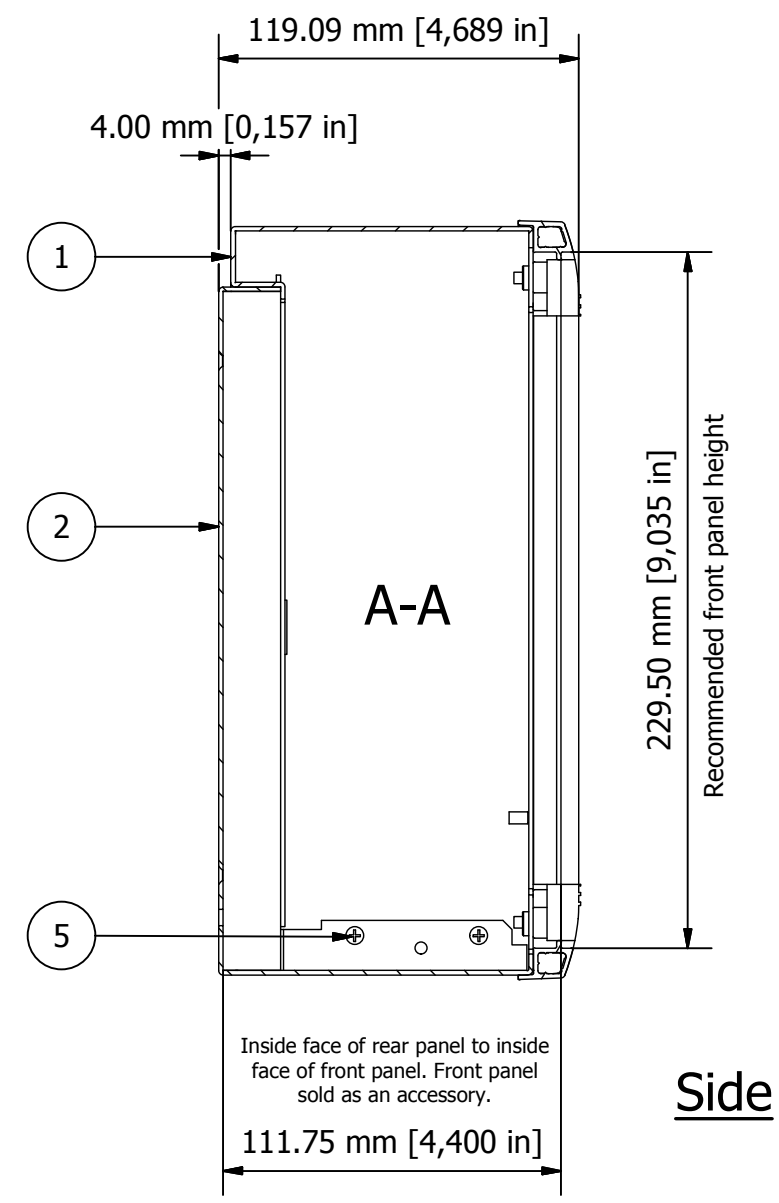


PARTS LIST			
ITEM	QTY	PART NUMBER	DESCRIPTION
1	1	M5801035	Top Cover
2	1	M5801036	Rear Cover
3	1	M5802035	Bezel Assembly
4	4	M4 x 16 mm Screw	Bezel Fixing Screws
5	4	M4 x 6 mm Pan Screw	Cover Fixing Screws



M3 countersink holes in rear panel for chassis plate / PCB mounting.
Chassis plate available as an accessory.



Front

Side

Build & Finish.
All parts are made from aluminium, except hardware. The finish is fine texture epoxy polyester powder paint. The case is fabricated from 1.5 mm material & then painted RAL 9005. The bezel is aluminium die castings & extrusions & then painted RAL 9005.

© OKW Enclosures Ltd (Date as shown). This drawing contains proprietary information of OKW Enclosures Ltd and is tendered subject to the following conditions. The information be retained in confidence, not be reproduced or copied, and not be used or incorporated in any product, unless permission is obtained in writing from OKW Enclosures Ltd.

FIRST ANGLE PROJECTION

Designed by L Clark	Description Datamet M	Date 17/04/2013	Scale 1:2.5
METCASE ENCLOSURES 15 Brunel Way, Segensworth East, Fareham, Hampshire, UK. PO15 5TX Tel: +44 (0)1489 583858 Email: metcase@okw.co.uk		METcase™ www.metcase.com Part Number M5835109	
		Issue 1	Sheet 1 / 1