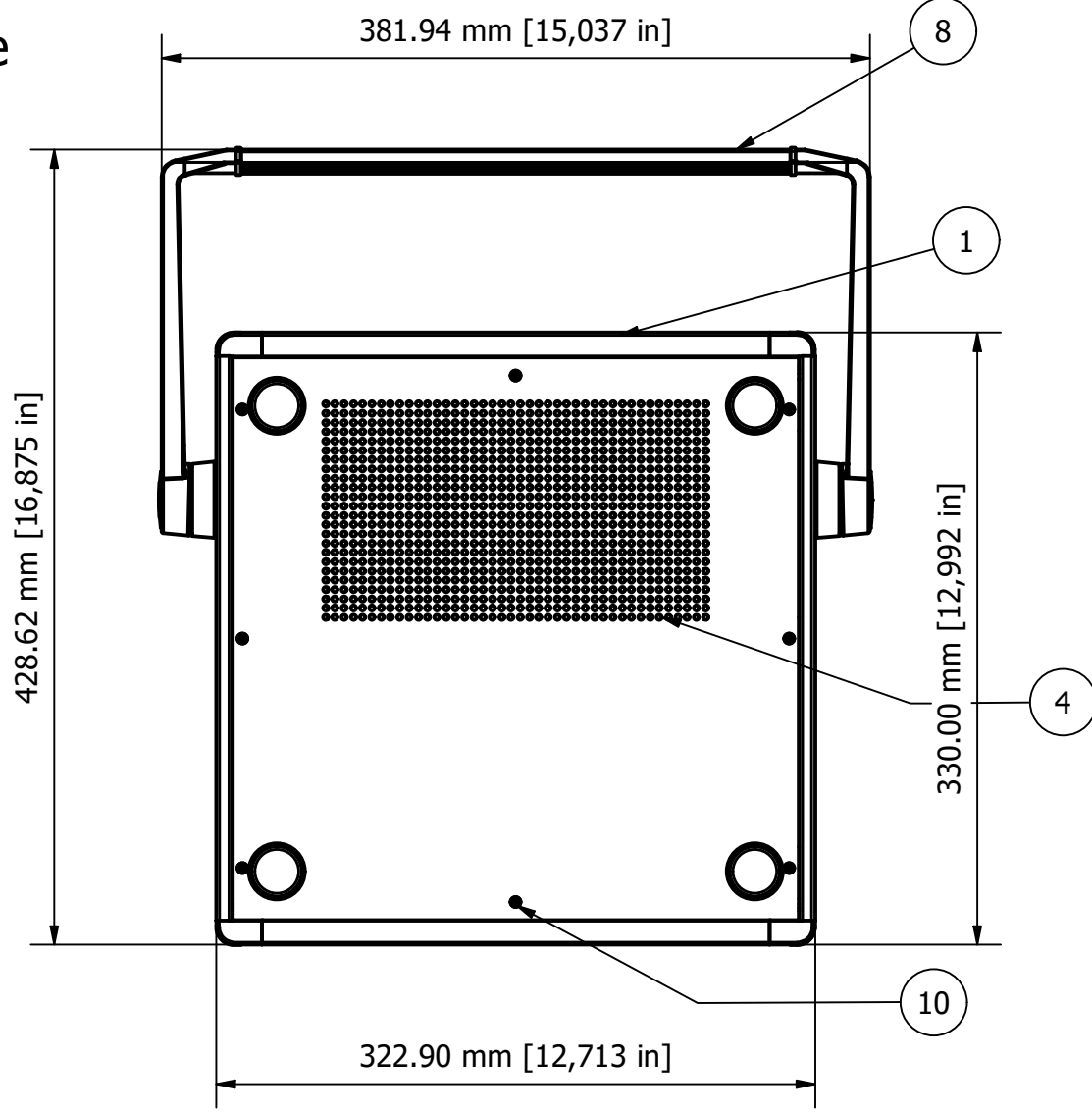
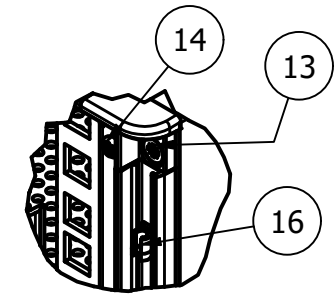


Base

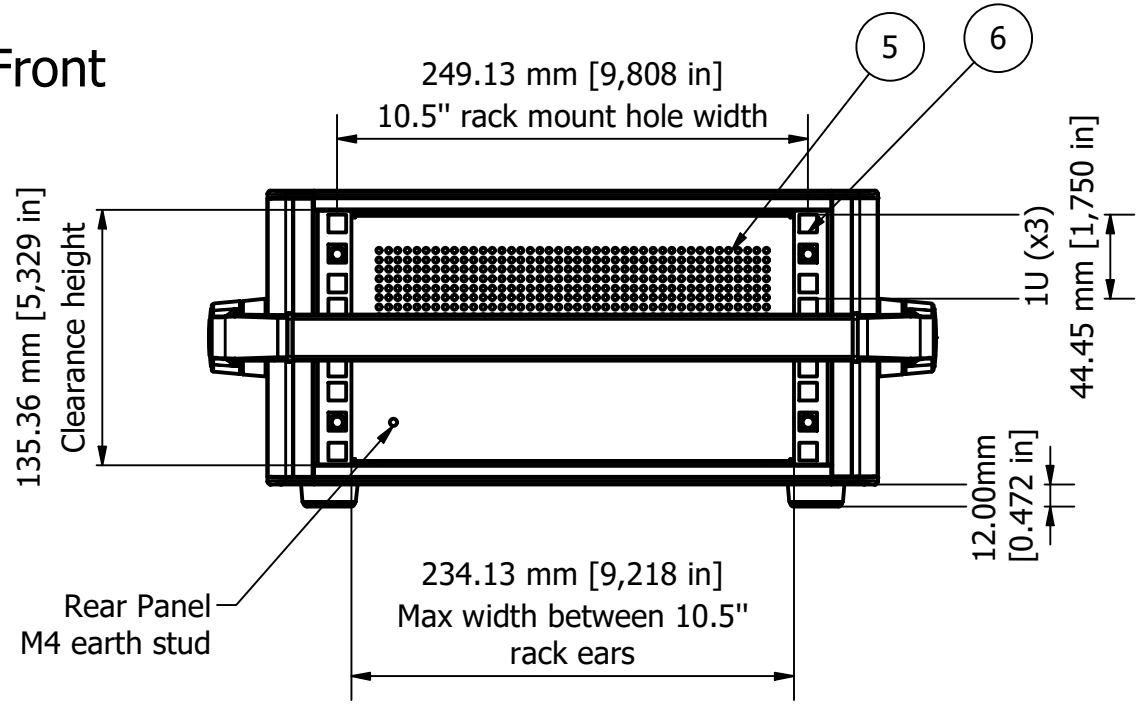


Detail A

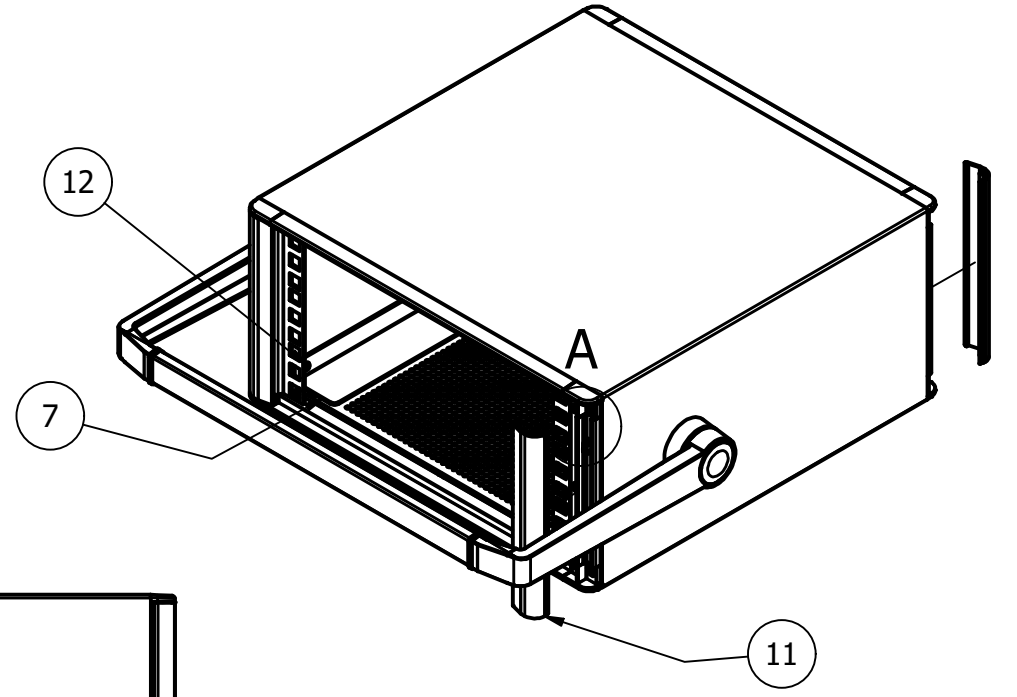
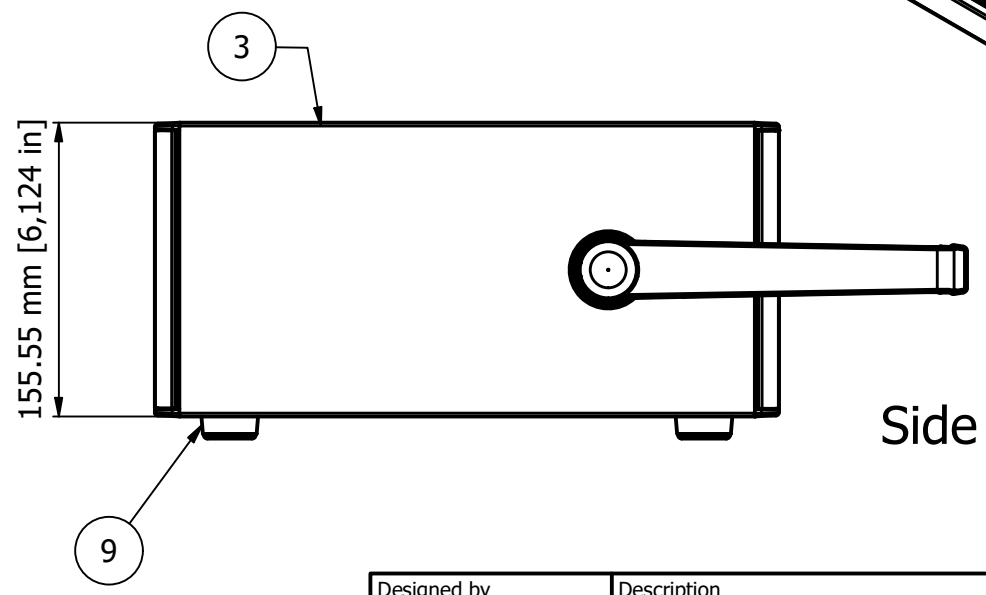


PARTS LIST			
ITEM	QTY	PART NUMBER	DESCRIPTION
1	2	M6600303	Bezel (front/Rear)
2	2	M6603033	Internal Chassis Panels
3	1	M6601013	Cover
4	1	M6603105	Base Panel
5	1	M6603503	Vented Rear Panel
6	4	M6604003	10.5" rack mount bracket
7	2	M6604100	Support Runner
8	1	M6600073	Handle
9	4	M6420105	Technofeet
10	8	M3x6mm CSK Screw	Base panel screws
11	4	M6600013	Front/Rear trims
12	6	M4 x 12mm Pan Screw	Support runner screws
13	8	M4x16 Screw	Bezel fixing screw
14	12	M3x8mm Pan Screw	10.5" rack bracket screws
15	4	M5900035-	10.5" Panel screw kit (M6)
16	8	M6420000	clips for trims

Front



Side



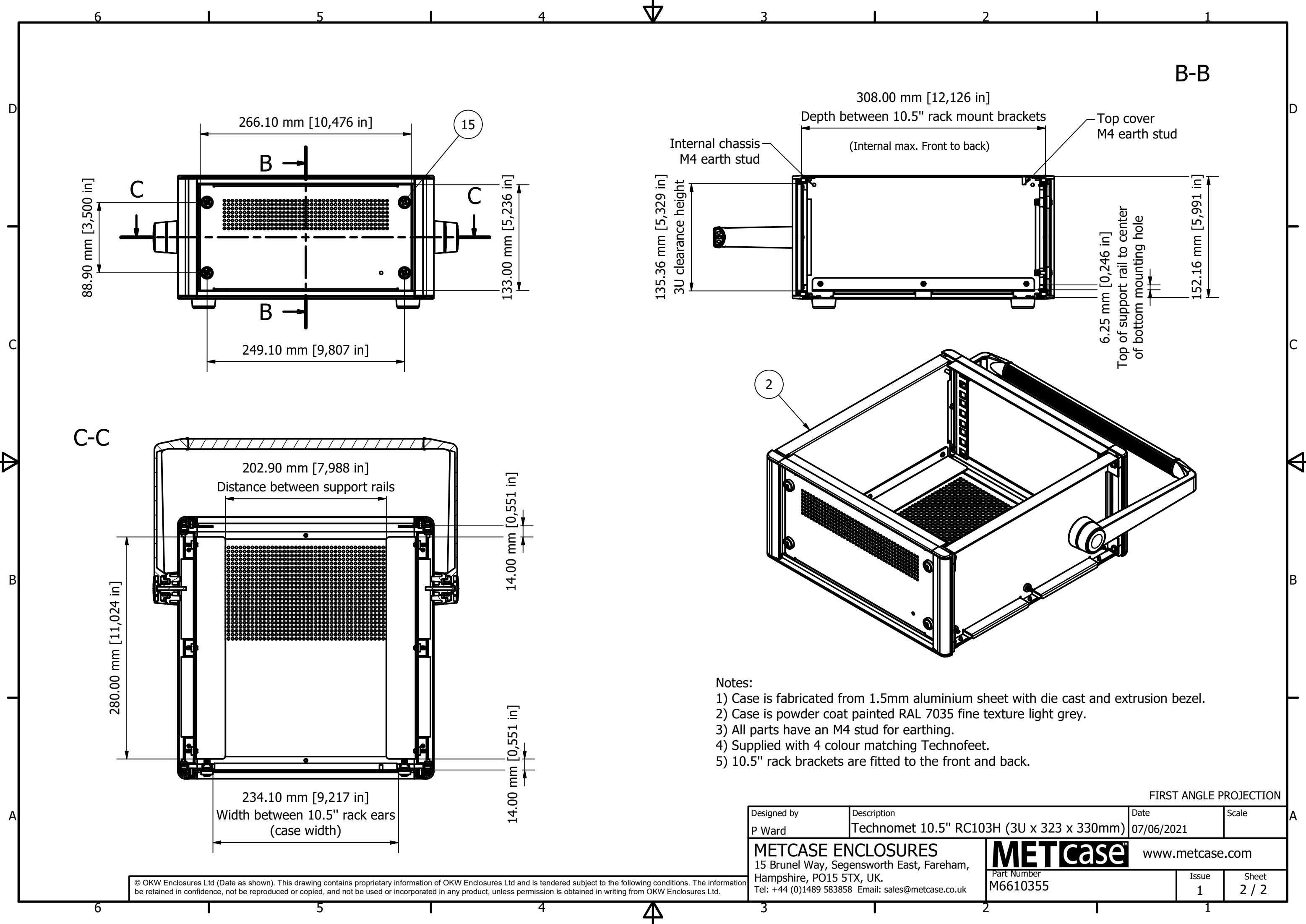
FIRST ANGLE PROJECTION

Designed by P Ward	Description Technomet 10.5" RC103H (3U x 323 x 330mm)	Date 07/06/2021	Scale
-----------------------	--	--------------------	-------

METCASE ENCLOSURES
 15 Brunel Way, Segensworth East, Fareham,
 Hampshire, PO15 5TX, UK.
 Tel: +44 (0)1489 583858 Email: sales@metcase.co.uk

METcase™ www.metcase.com	Part Number M6610355	Issue 1	Sheet 1 / 2
------------------------------------	-------------------------	------------	----------------

© OKW Enclosures Ltd (Date as shown). This drawing contains proprietary information of OKW Enclosures Ltd and is tendered subject to the following conditions. The information be retained in confidence, not be reproduced or copied, and not be used or incorporated in any product, unless permission is obtained in writing from OKW Enclosures Ltd.



- Notes:
- 1) Case is fabricated from 1.5mm aluminium sheet with die cast and extrusion bezel.
 - 2) Case is powder coat painted RAL 7035 fine texture light grey.
 - 3) All parts have an M4 stud for earthing.
 - 4) Supplied with 4 colour matching Technofeet.
 - 5) 10.5" rack brackets are fitted to the front and back.

FIRST ANGLE PROJECTION

Designed by P Ward	Description Technomet 10.5" RC103H (3U x 323 x 330mm)	Date 07/06/2021	Scale
METCASE ENCLOSURES 15 Brunel Way, Segensworth East, Fareham, Hampshire, PO15 5TX, UK. Tel: +44 (0)1489 583858 Email: sales@metcase.co.uk		METcase™ www.metcase.com Part Number M6610355	Issue 1 Sheet 2 / 2

© OKW Enclosures Ltd (Date as shown). This drawing contains proprietary information of OKW Enclosures Ltd and is tendered subject to the following conditions. The information be retained in confidence, not be reproduced or copied, and not be used or incorporated in any product, unless permission is obtained in writing from OKW Enclosures Ltd.