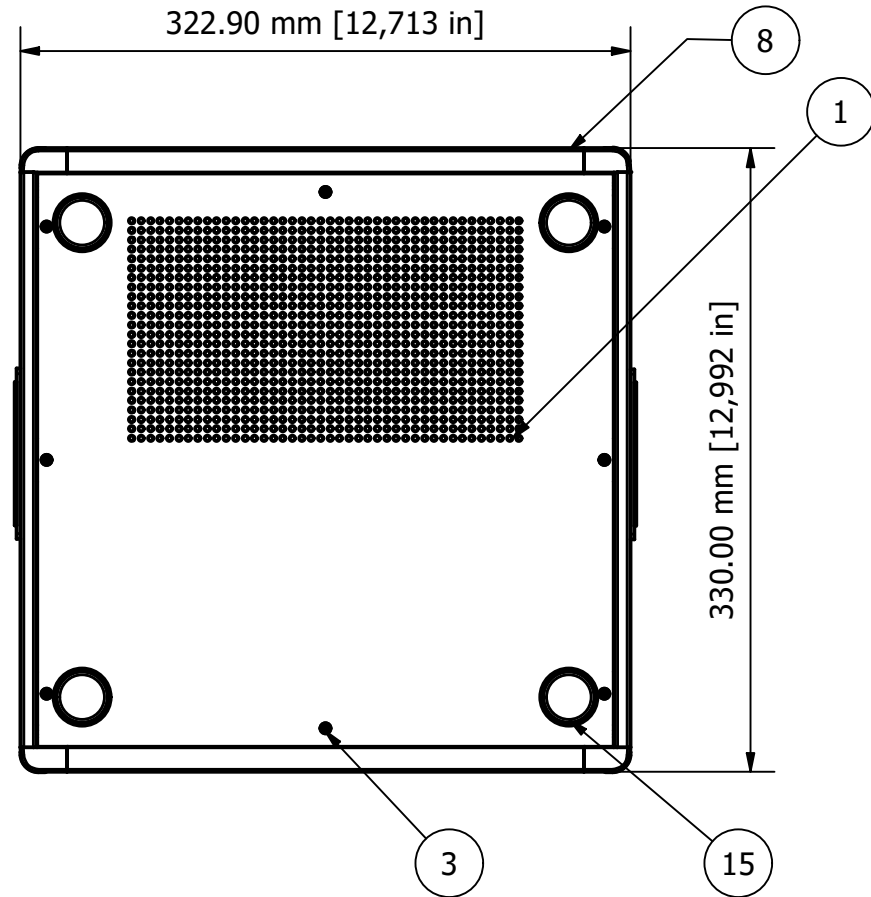
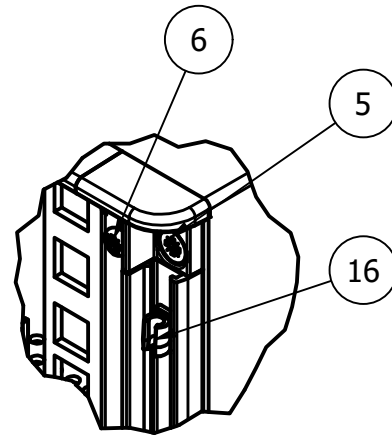


Base

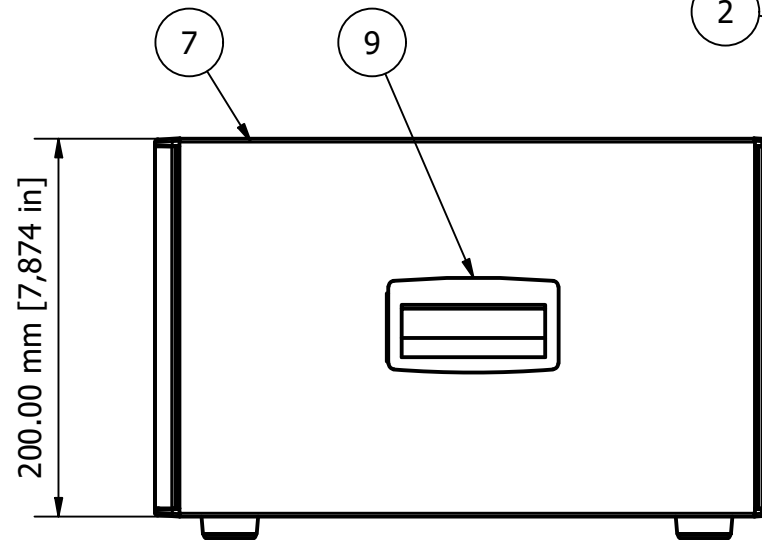
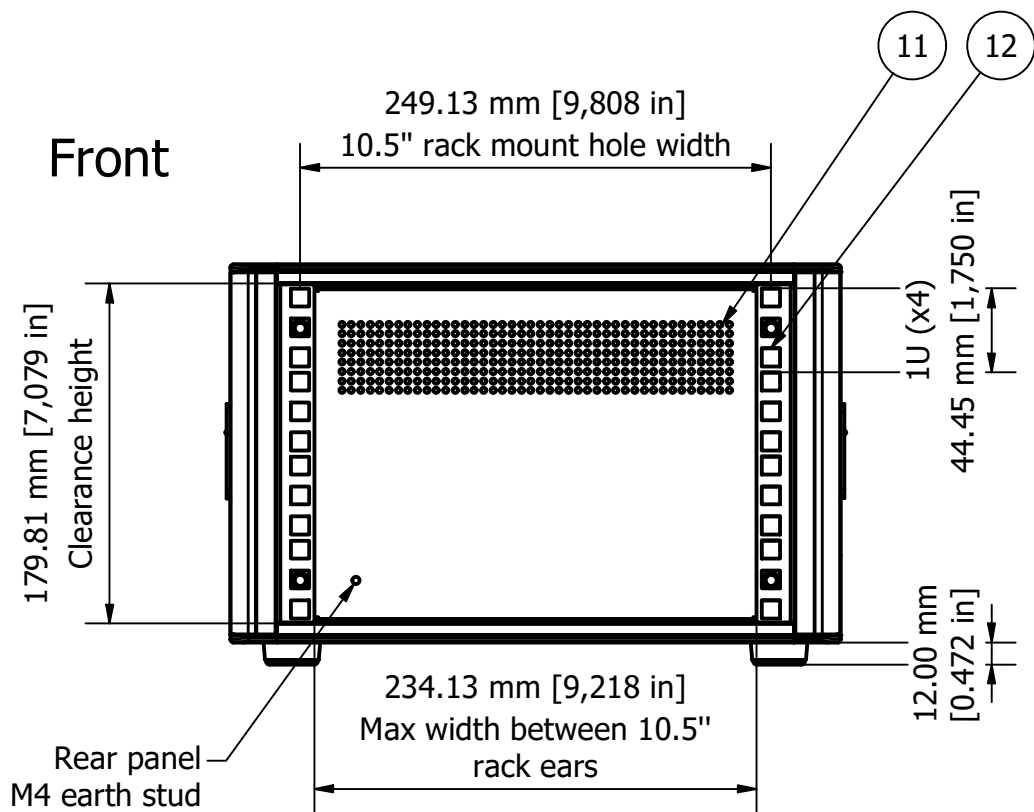


Detail A

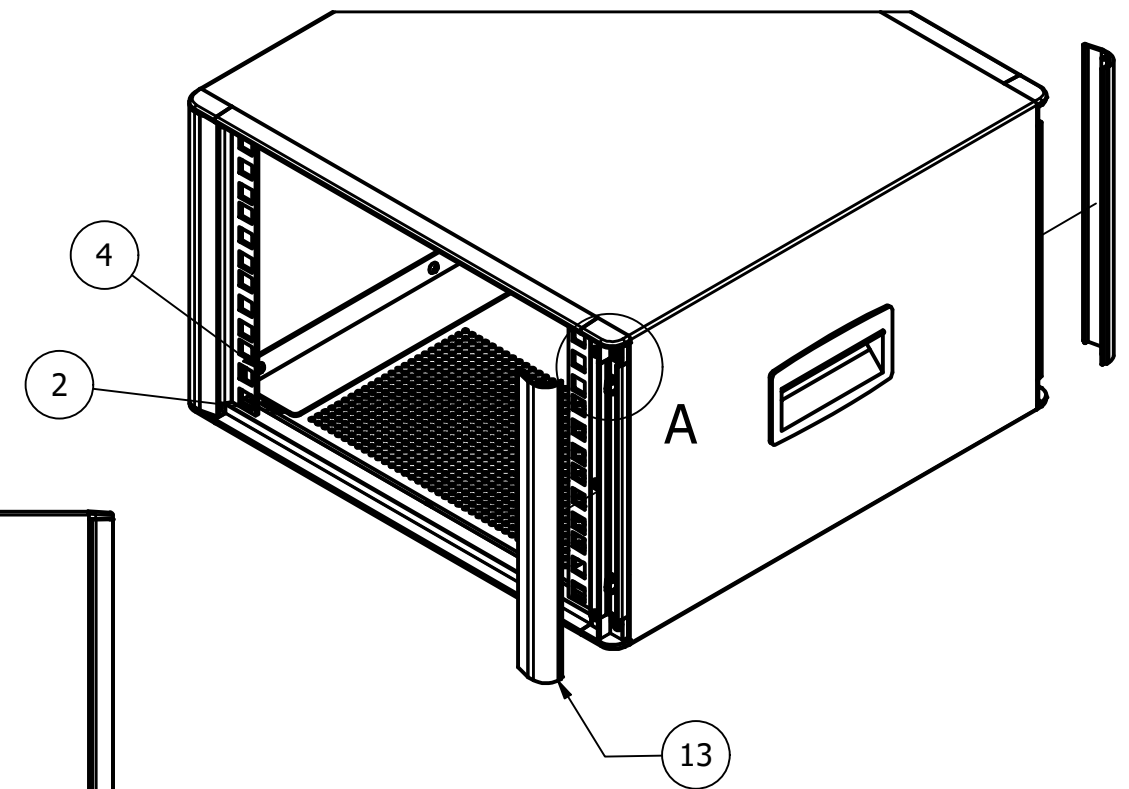


| PARTS LIST | | | |
|------------|-----|---------------------|----------------------------|
| ITEM | QTY | PART NUMBER | DESCRIPTION |
| 1 | 1 | M6603105 | Base Panel |
| 2 | 2 | M6604100 | Support Runner |
| 3 | 8 | M3x6mm CSK Screw | Base Panel Screws |
| 4 | 6 | M4 x 12mm Pan Screw | Support Runner Screws |
| 5 | 8 | M4x16 Screw | Bezel Fixing Screws |
| 6 | 12 | M3x8mm Pan Screw | 10.5" Rack Bracket Screws |
| 7 | 1 | M6601004 | Cover |
| 8 | 2 | M6600304 | Bezel (Front/Rear) |
| 9 | 2 | M6000022 | Side Grip Handles |
| 10 | 2 | M6603034 | Internal Chassis Panels |
| 11 | 1 | M6603504 | Vented Rear Panel |
| 12 | 4 | M6604004 | 10.5" Rack Mount Bracket |
| 13 | 4 | M6600014 | Front/Rear Trims |
| 14 | 4 | M5900035- | 10.5" Panel Screw Kit (M6) |
| 15 | 4 | M6420105 | Technofeet |
| 16 | 8 | M6420000 | Clip for Trims |

Front



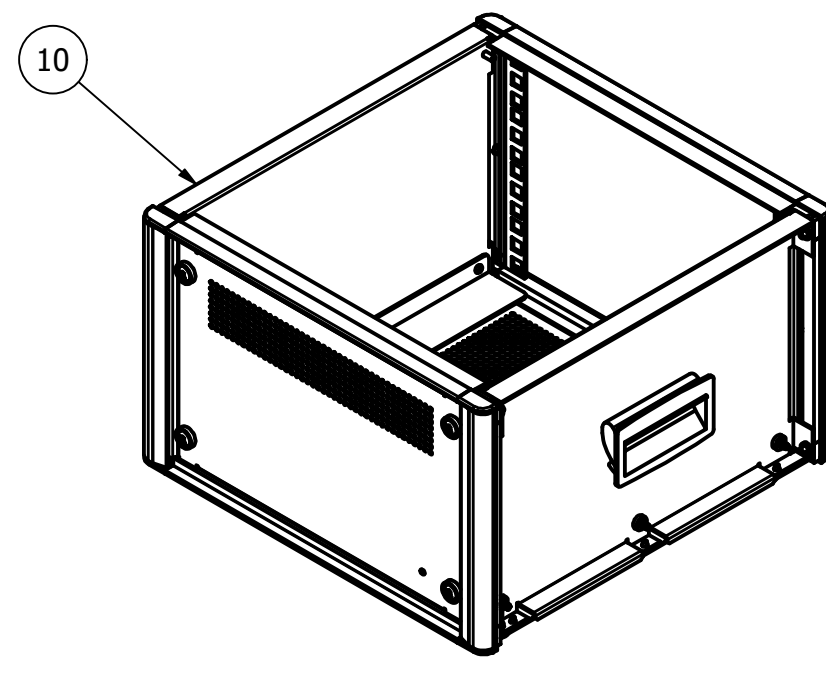
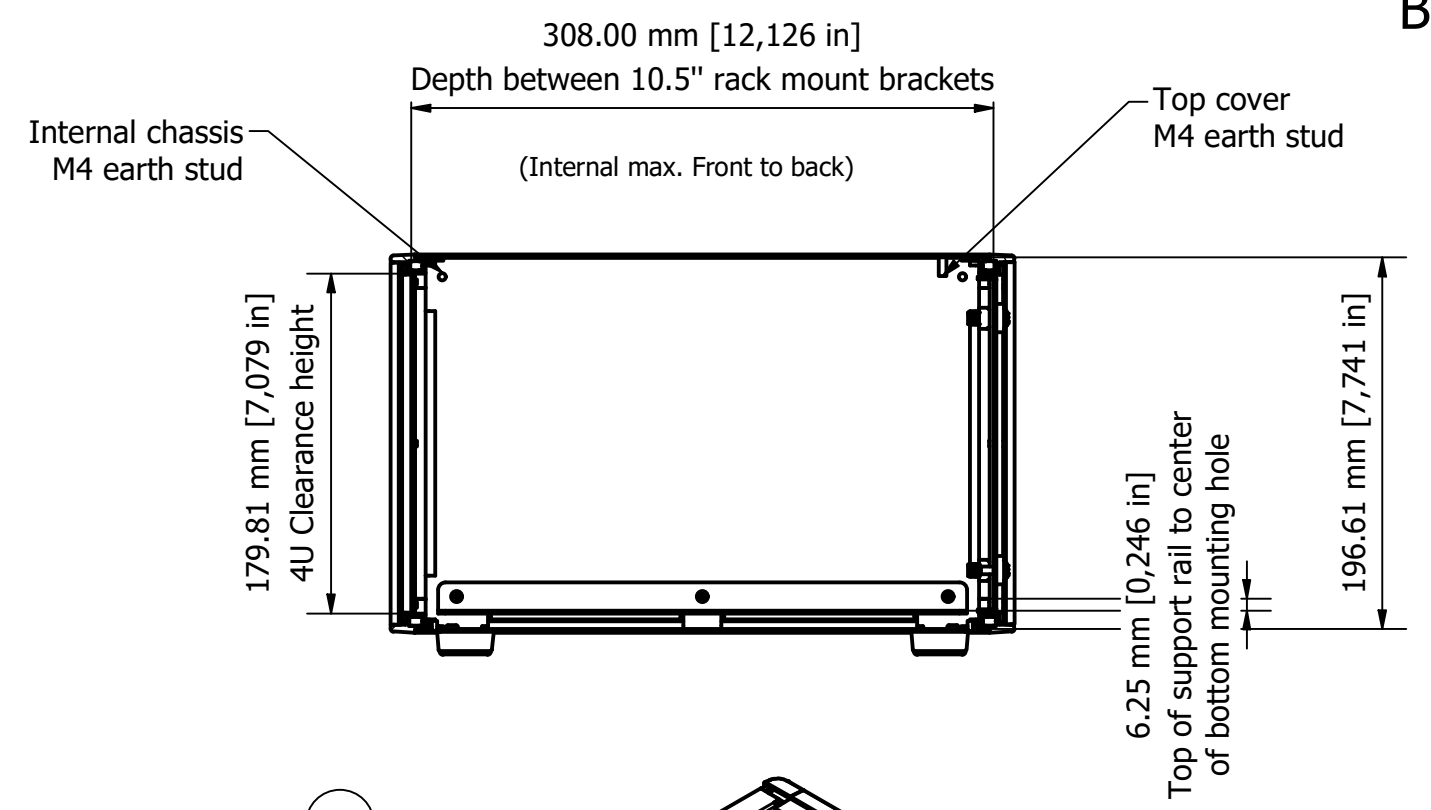
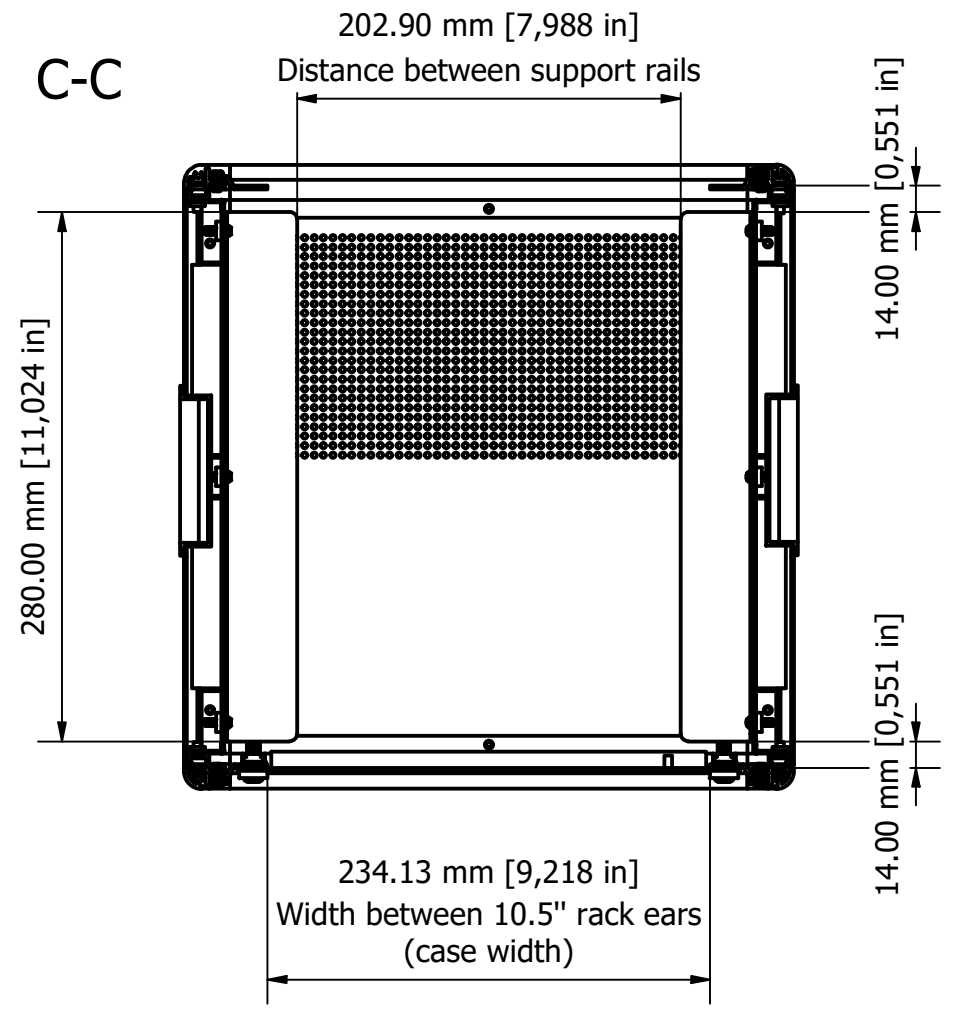
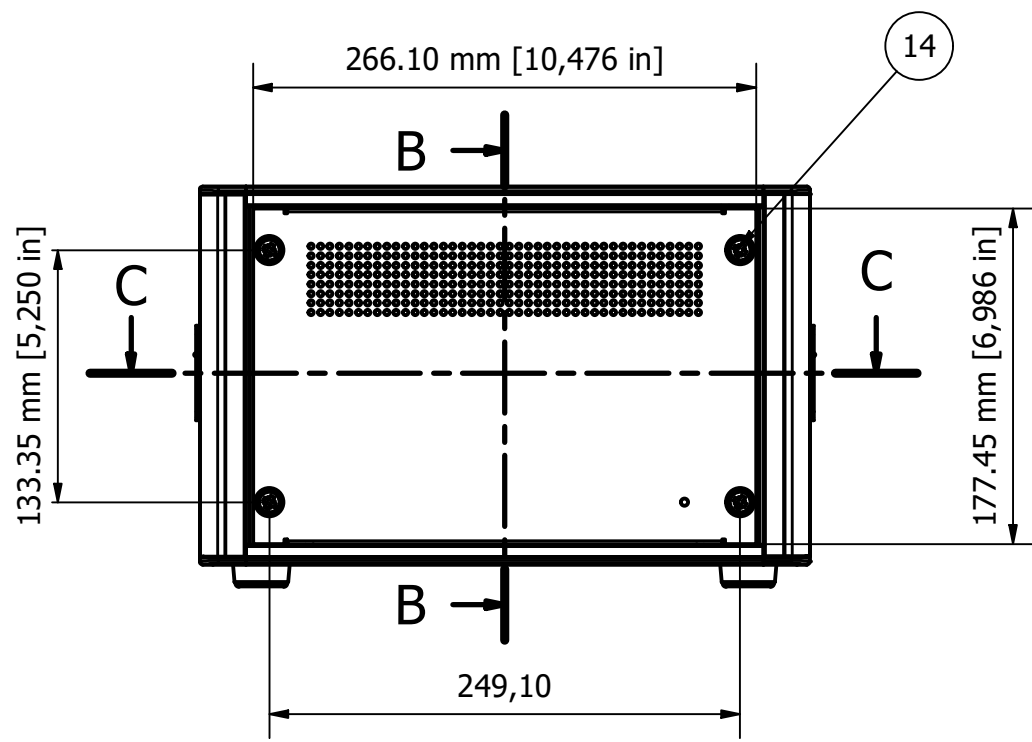
Side



FIRST ANGLE PROJECTION

| | | | |
|--|---|--|----------------|
| Designed by P Ward | Description Technomet 10.5" RC104 (4U x 323 x 330mm) | Date 08/06/2021 | Scale |
| METCASE ENCLOSURES 15 Brunel Way, Segensworth East, Fareham, Hampshire, PO15 5TX, UK. Tel: +44 (0)1489 583858 Email: sales@metcase.co.uk | | METcase™ www.metcase.com Part Number M6610445 | |
| | | Issue 1 | Sheet 1 / 2 |

© OKW Enclosures Ltd (Date as shown). This drawing contains proprietary information of OKW Enclosures Ltd and is tendered subject to the following conditions. The information be retained in confidence, not be reproduced or copied, and not be used or incorporated in any product, unless permission is obtained in writing from OKW Enclosures Ltd.



- Notes:
- 1) Case is fabricated from 1.5mm aluminium sheet with die cast and extrusion bezel.
 - 2) Case is powder coat painted RAL 7035 fine texture light grey.
 - 3) All parts have an M4 stud for earthing.
 - 4) Supplied with 4 colour matching technofeet.
 - 5) 10.5" rack brackets are fitted to the front and back.

FIRST ANGLE PROJECTION

| | | | |
|--|---|---|----------------|
| Designed by P Ward | Description Technomet 10.5" RC104 (4U x 323 x 330mm) | Date 08/06/2021 | Scale |
| METCASE ENCLOSURES 15 Brunel Way, Segensworth East, Fareham, Hampshire, PO15 5TX, UK. Tel: +44 (0)1489 583858 Email: sales@metcase.co.uk | | METcase™ www.metcase.com Part Number M6610445 | |
| | | Issue 1 | Sheet 2 / 2 |

© OKW Enclosures Ltd (Date as shown). This drawing contains proprietary information of OKW Enclosures Ltd and is tendered subject to the following conditions. The information be retained in confidence, not be reproduced or copied, and not be used or incorporated in any product, unless permission is obtained in writing from OKW Enclosures Ltd.