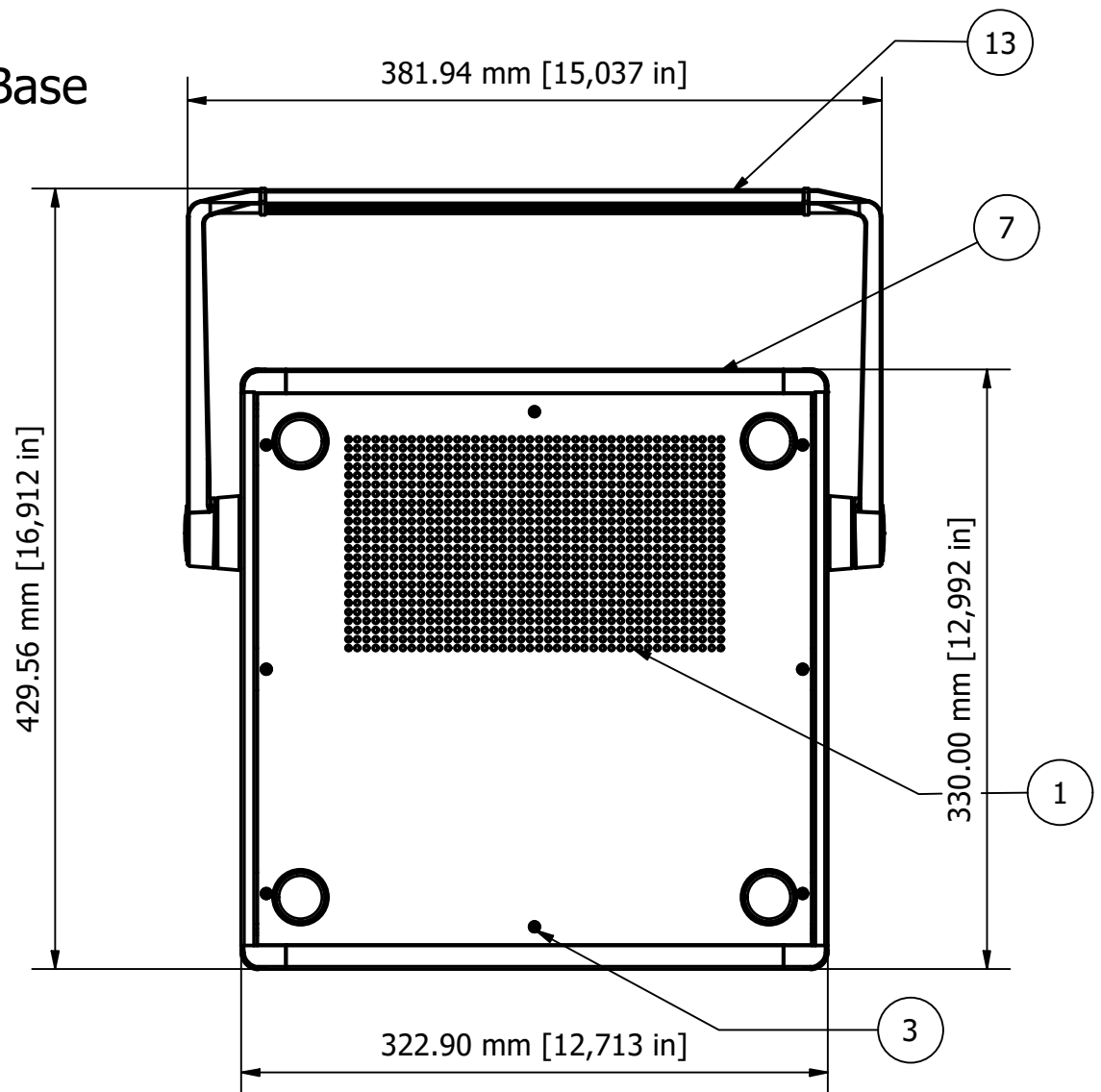
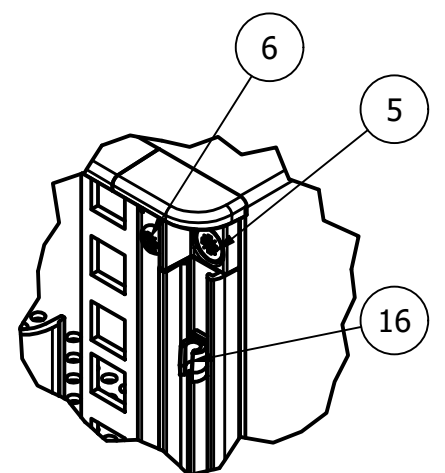


Base

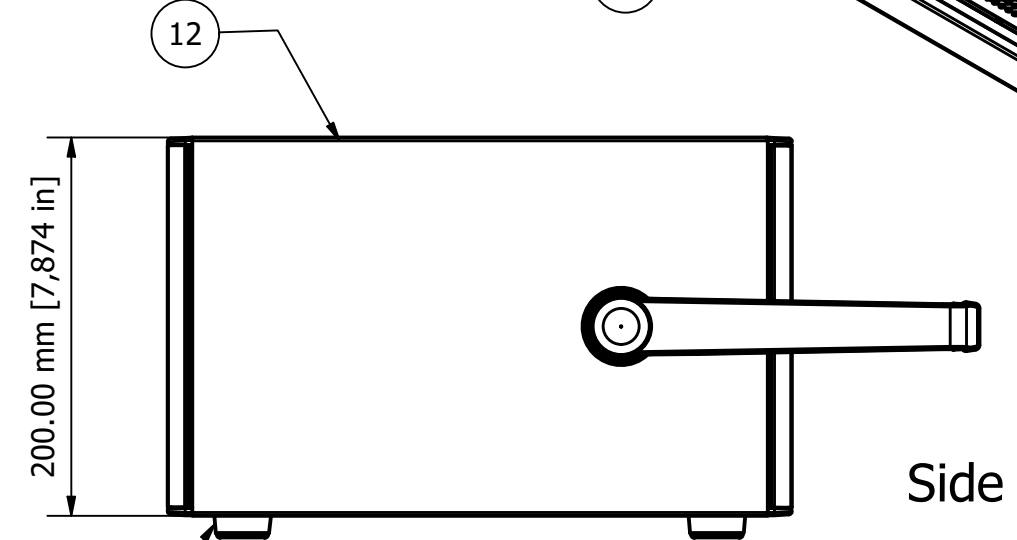
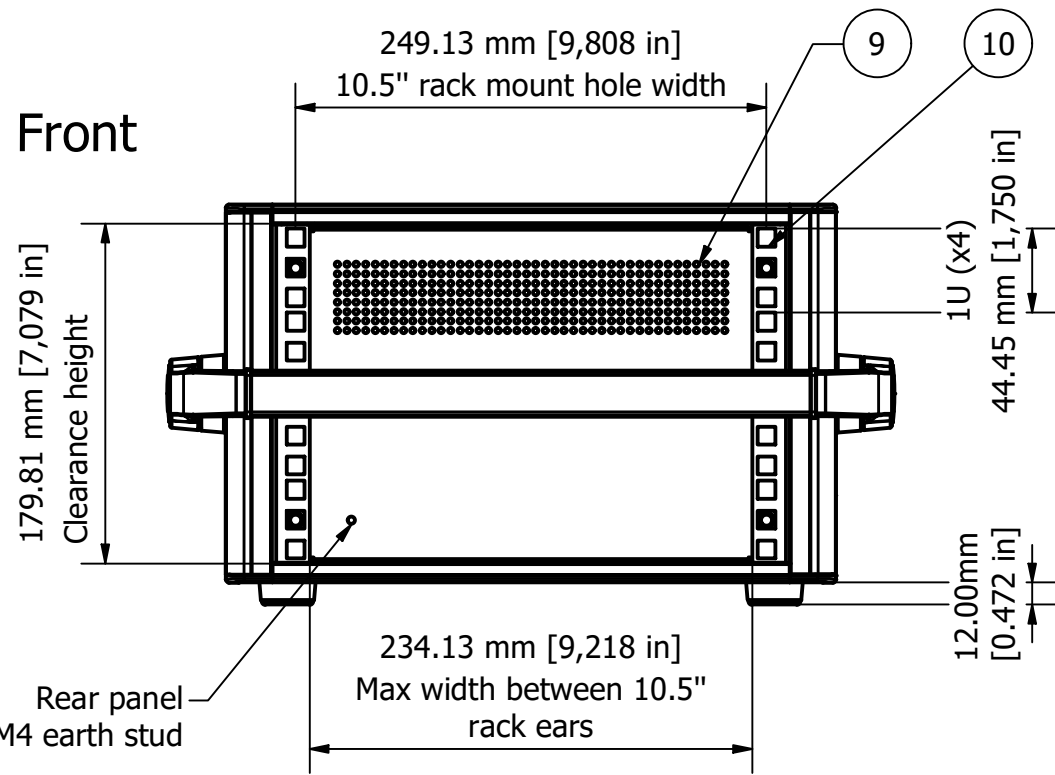


Detail A

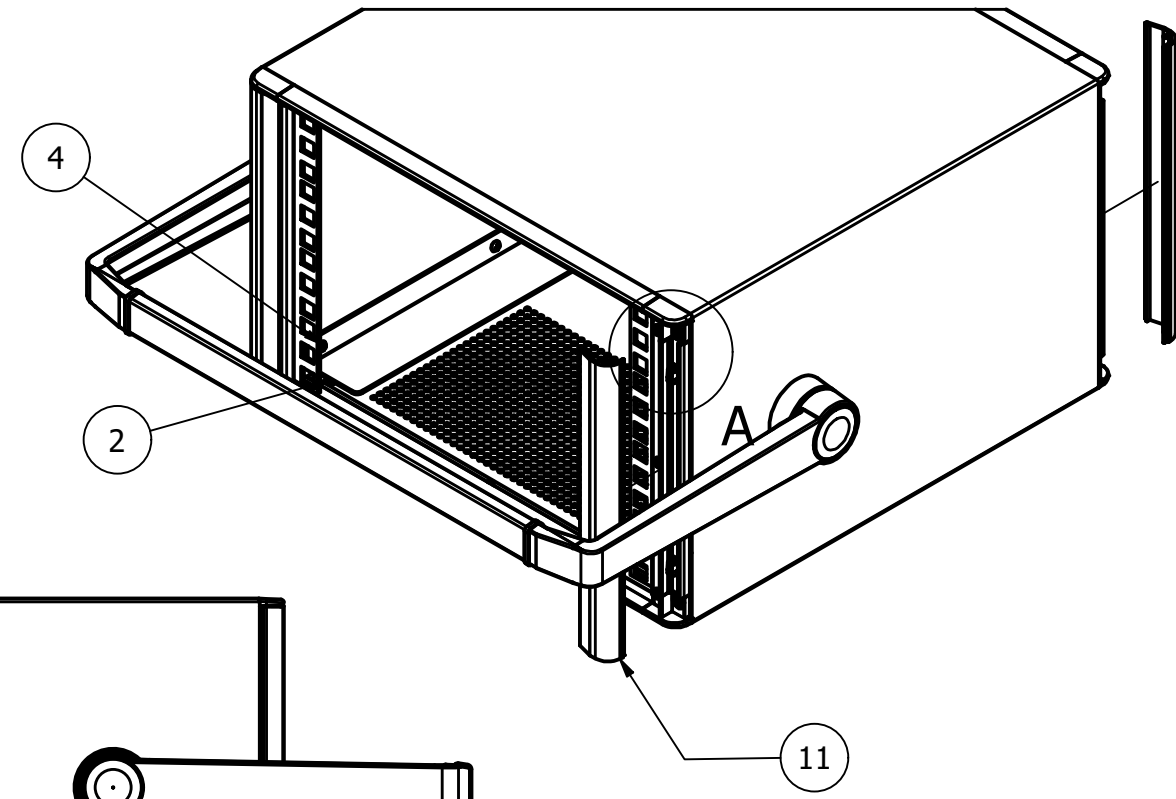


PARTS LIST			
ITEM	QTY	PART NUMBER	DESCRIPTION
1	1	M6603105	Base Panel
2	2	M6604100	Support Runner
3	8	M3x6mm CSK Screw	Base Panel Screws
4	6	M4 x 12mm Pan Screw	Support Runner Screws
5	8	M4x16 Screw	Bezel Fixing Screws
6	12	M3x8mm Pan Screw	10.5" Rack Bracket Screws
7	2	M6600304	Bezel (Front/Rear)
8	2	M6603034	Internal Chassis Panels
9	1	M6603504	Vented Rear Panel
10	4	M6604004	10.5" Rack Mount Bracket
11	4	M6600014	Front/Rear Trims
12	1	M6601014	Cover
13	1	M6600072	Handle
14	4	M5900016-	105" Panel Screw Kit (M6)
15	4	M6420104	Technofeet
16	8	M6420000	Clips for Trims

Front



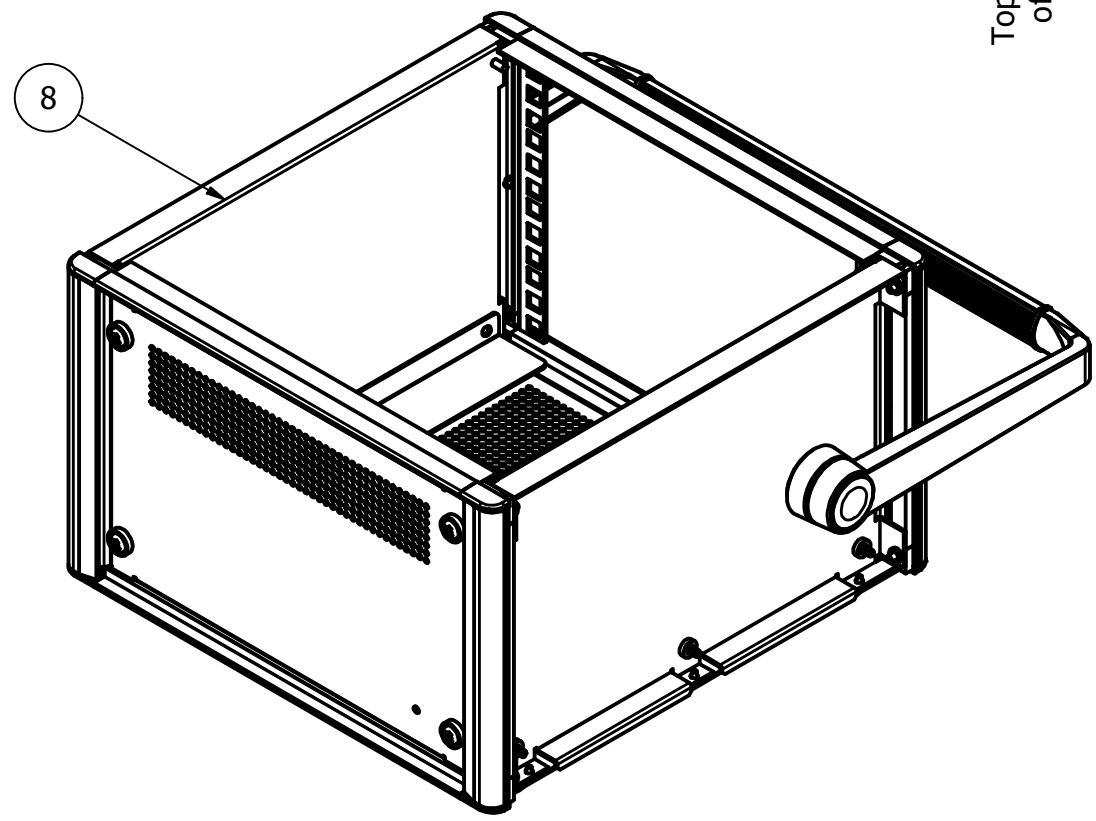
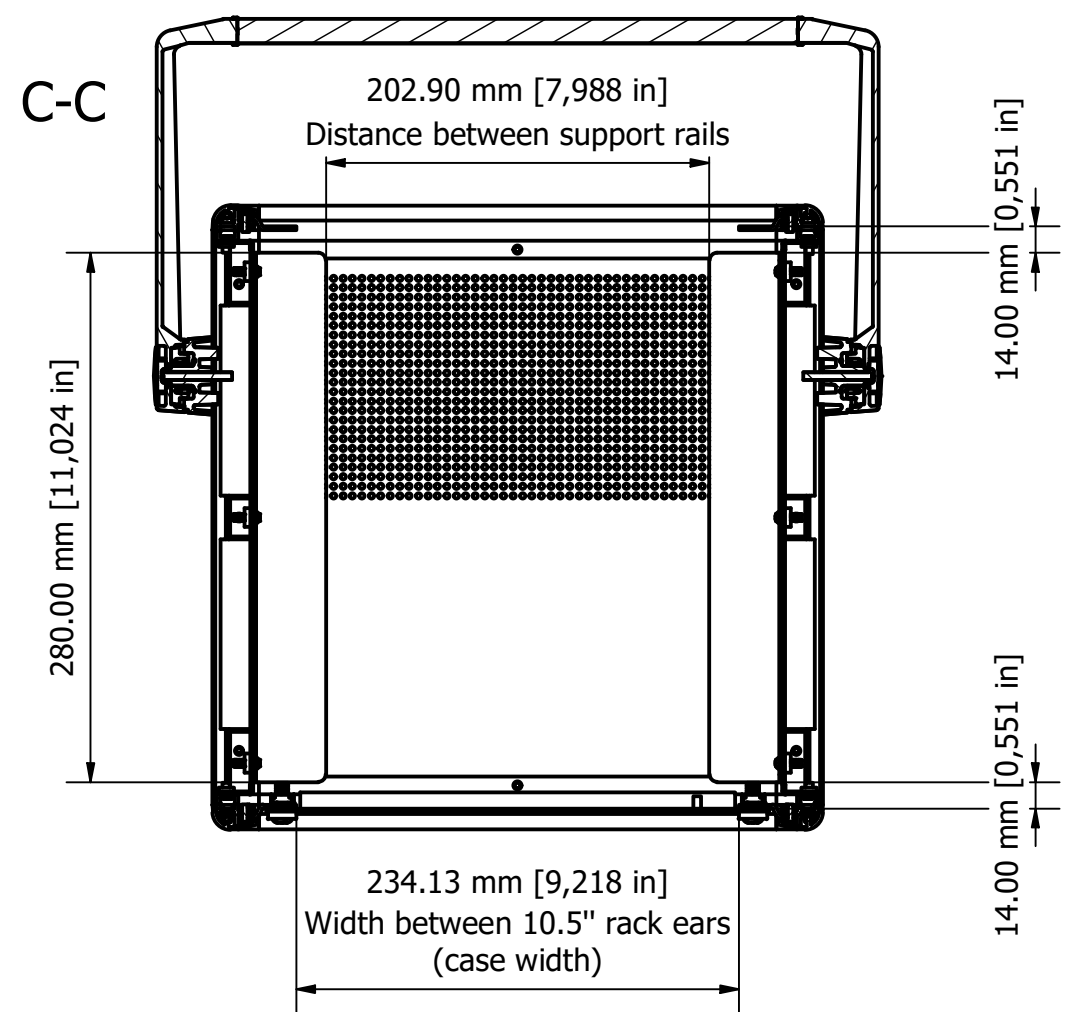
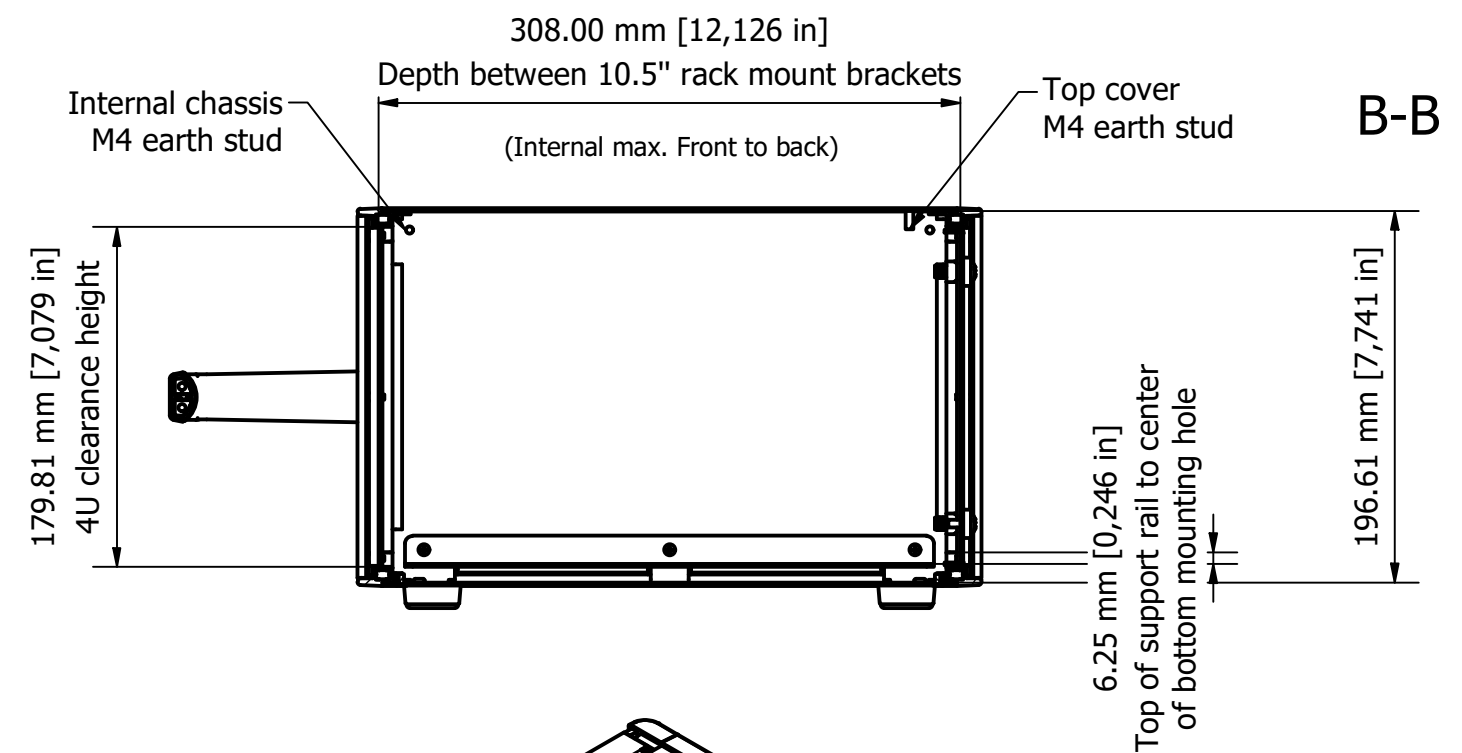
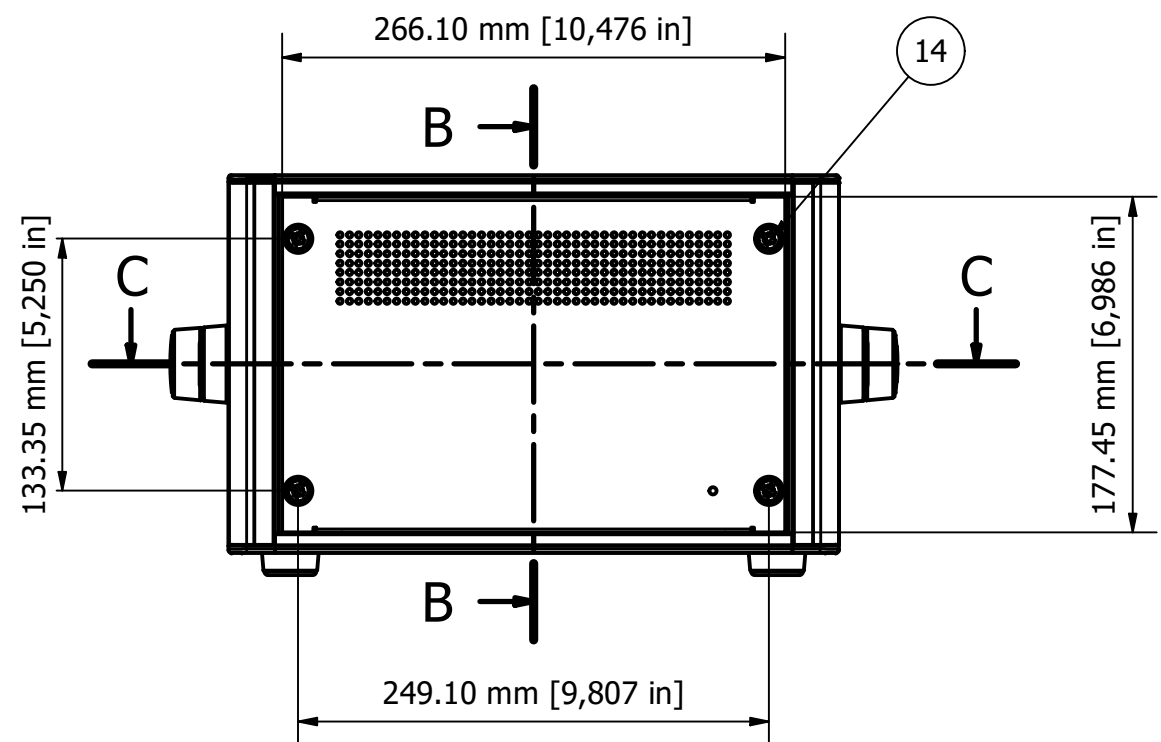
Side



FIRST ANGLE PROJECTION

Designed by P Ward	Description Technomet 10.5" RC104H (4U x 323 x 330mm)	Date 09/06/2021	Scale
<b>METCASE ENCLOSURES</b> 15 Brunel Way, Segensworth East, Fareham, Hampshire, PO15 5TX, UK. Tel: +44 (0)1489 583858 Email: sales@metcase.co.uk		<b>METcase™</b> www.metcase.com Part Number <b>M6610454</b>	
		Issue 1	Sheet 1 / 2

© OKW Enclosures Ltd (Date as shown). This drawing contains proprietary information of OKW Enclosures Ltd and is tendered subject to the following conditions. The information be retained in confidence, not be reproduced or copied, and not be used or incorporated in any product, unless permission is obtained in writing from OKW Enclosures Ltd.



- Notes:
- 1) Case is fabricated from 1.5mm aluminium sheet with die cast and extrusion bezel.
  - 2) Case is powder coat painted RAL 7016 fine texture anthracite.
  - 3) All parts have an M4 stud for earthing.
  - 4) Supplied with 4 colour matching Technofeet.
  - 5) 10.5" rack brackets are fitted to the front and back.

FIRST ANGLE PROJECTION

Designed by P Ward	Description Technomet 10.5" RC104H (4U x 323 x 330mm)	Date 09/06/2021	Scale
<b>METCASE ENCLOSURES</b> 15 Brunel Way, Segensworth East, Fareham, Hampshire, PO15 5TX, UK. Tel: +44 (0)1489 583858 Email: sales@metcase.co.uk		<b>METcase™</b> www.metcase.com Part Number <b>M6610454</b>	
		Issue 1	Sheet 2 / 2

© OKW Enclosures Ltd (Date as shown). This drawing contains proprietary information of OKW Enclosures Ltd and is tendered subject to the following conditions. The information be retained in confidence, not be reproduced or copied, and not be used or incorporated in any product, unless permission is obtained in writing from OKW Enclosures Ltd.