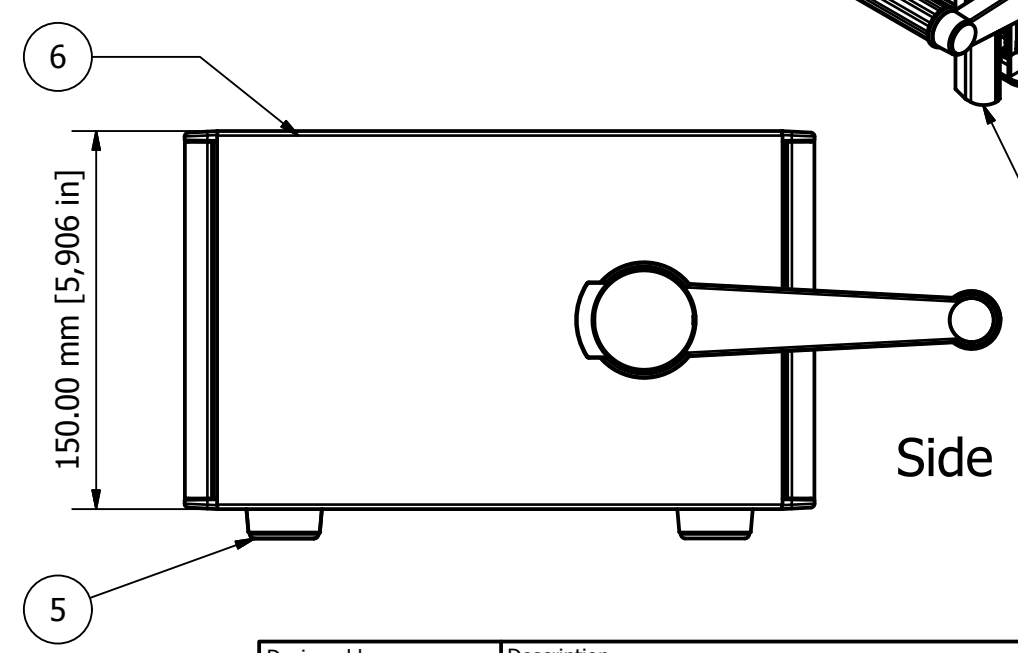
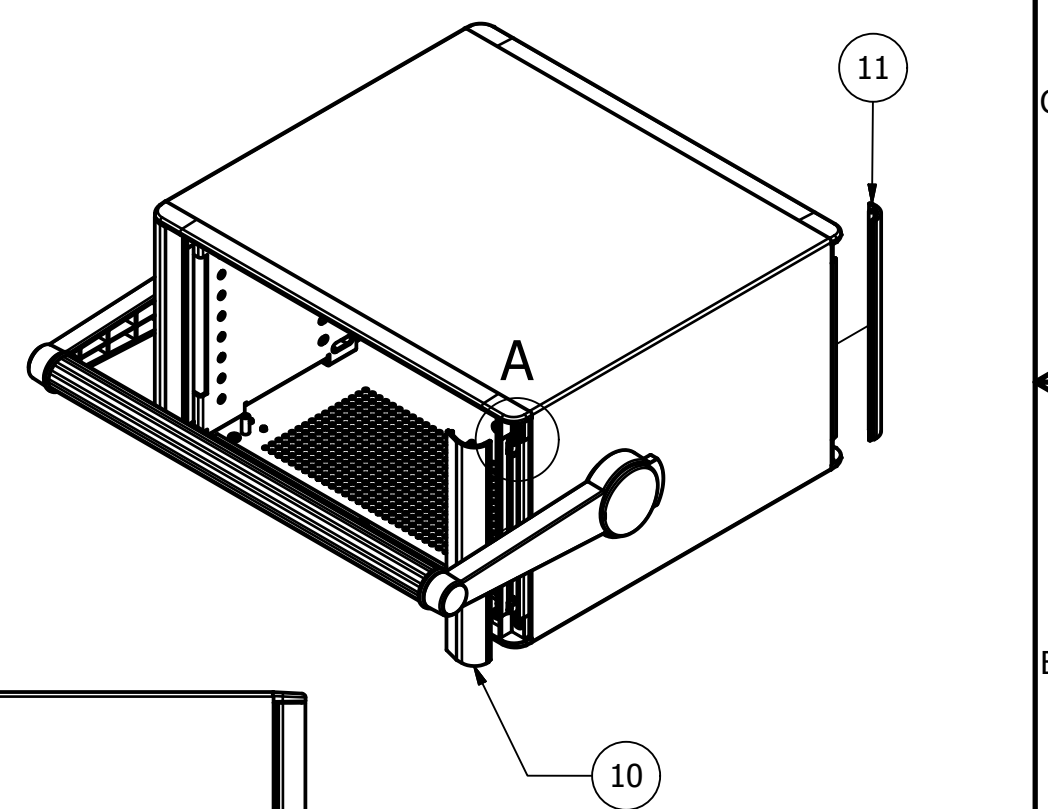


PARTS LIST			
ITEM	QTY	PART NUMBER	DESCRIPTION
1	8	M3x8mm Pan	Front/Rear Panel Screws
2	8	M4x16mm CSK	Bezel Assembly Screws
3	2	M3x6mm CSK	Base Panel Screws
4	8	M6420000	Clip for Trims
5	4	M6420104	Technofeet
6	1	M6402524	Wrap Around Cover
7	1	M6403354	Base/Internal Sides Sub-Assy
8	1	M6403454	Rear Panel 1.5 mm Thick
9	2	M6401054	Front/Rear Bezel
10	2	M6400056	Front Trim
11	2	M6400076	Rear Trim
12	2	AS055782	Bail Arm Kit
13	1	M6404274	Handle Bar

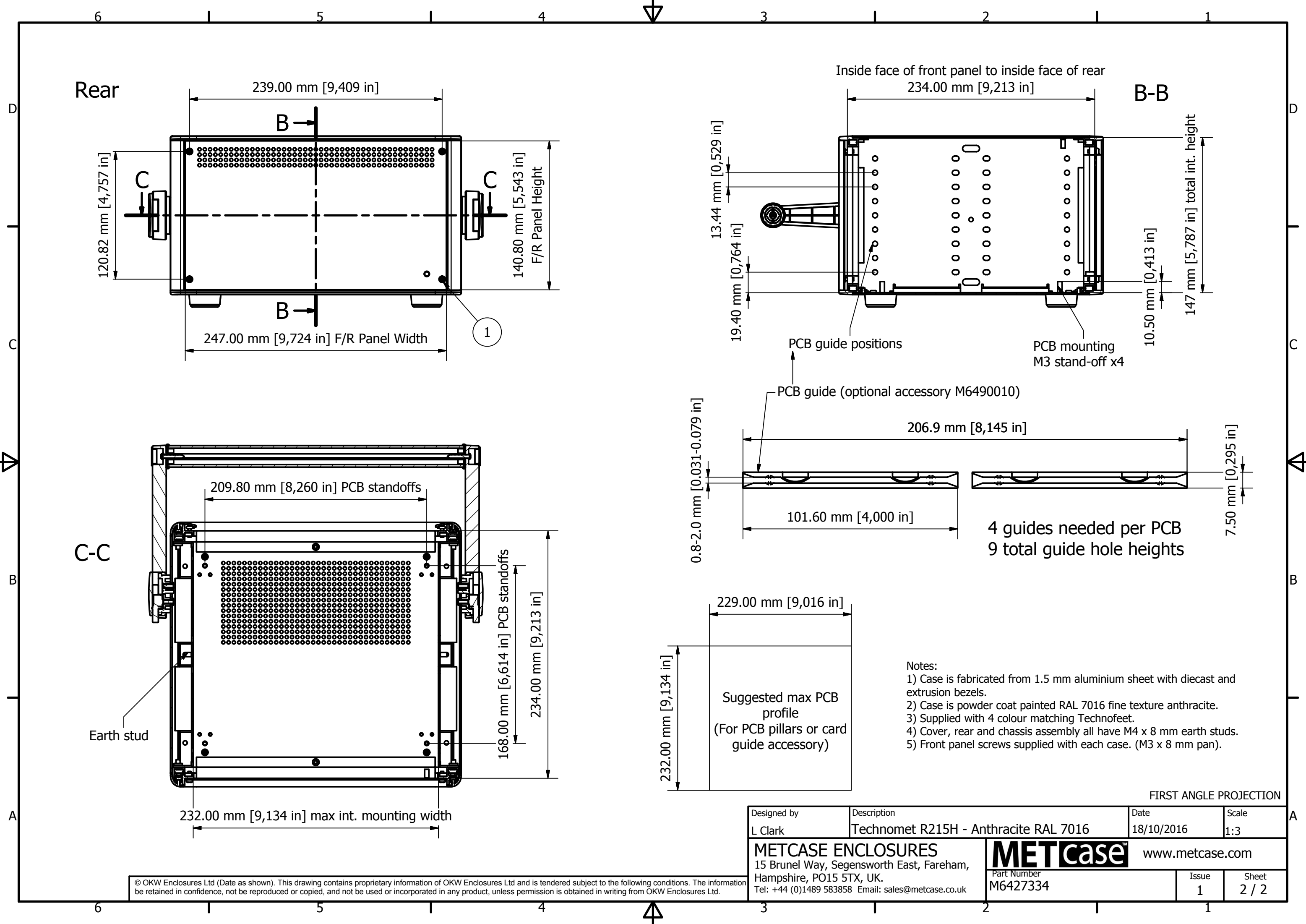


FIRST ANGLE PROJECTION

Front panel (M6400704) sold seperately

© OKW Enclosures Ltd (Date as shown). This drawing contains proprietary information of OKW Enclosures Ltd and is tendered subject to the following conditions. The information be retained in confidence, not be reproduced or copied, and not be used or incorporated in any product, unless permission is obtained in writing from OKW Enclosures Ltd.

Designed by L Clark	Description Technomet R215H - Anthracite RAL 7016	Date 18/10/2016	Scale 1:3
<b>METCASE ENCLOSURES</b> 15 Brunel Way, Segensworth East, Fareham, Hampshire, PO15 5TX, UK. Tel: +44 (0)1489 583858 Email: sales@metcase.co.uk		<b>METcase™</b> www.metcase.com Part Number <b>M6427334</b>	
		Issue 1	Sheet 1 / 2



Rear

239.00 mm [9,409 in]

B

120.82 mm [4,757 in]

140.80 mm [5,543 in]  
F/R Panel Height

247.00 mm [9,724 in] F/R Panel Width

1

Inside face of front panel to inside face of rear  
234.00 mm [9,213 in]

B-B

13.44 mm [0,529 in]  
19.40 mm [0,764 in]

10.50 mm [0,413 in]  
147 mm [5,787 in] total int. height

PCB guide positions

PCB mounting  
M3 stand-off x4

PCB guide (optional accessory M6490010)

206.9 mm [8,145 in]

0.8-2.0 mm [0.031-0.079 in]

101.60 mm [4,000 in]

4 guides needed per PCB  
9 total guide hole heights

7.50 mm [0,295 in]

C-C

209.80 mm [8,260 in] PCB standoffs

168.00 mm [6,614 in] PCB standoffs  
234.00 mm [9,213 in]

Earth stud

232.00 mm [9,134 in] max int. mounting width

Suggested max PCB profile  
(For PCB pillars or card guide accessory)

229.00 mm [9,016 in]  
232.00 mm [9,134 in]

- Notes:
- 1) Case is fabricated from 1.5 mm aluminium sheet with diecast and extrusion bezels.
  - 2) Case is powder coat painted RAL 7016 fine texture anthracite.
  - 3) Supplied with 4 colour matching Technofeet.
  - 4) Cover, rear and chassis assembly all have M4 x 8 mm earth studs.
  - 5) Front panel screws supplied with each case. (M3 x 8 mm pan).

FIRST ANGLE PROJECTION

Designed by L Clark	Description Technomet R215H - Anthracite RAL 7016	Date 18/10/2016	Scale 1:3
<b>METCASE ENCLOSURES</b> 15 Brunel Way, Segensworth East, Fareham, Hampshire, PO15 5TX, UK. Tel: +44 (0)1489 583858 Email: sales@metcase.co.uk		<b>METcase™</b> www.metcase.com Part Number <b>M6427334</b>	
		Issue 1	Sheet 2 / 2

© OKW Enclosures Ltd (Date as shown). This drawing contains proprietary information of OKW Enclosures Ltd and is tendered subject to the following conditions. The information be retained in confidence, not be reproduced or copied, and not be used or incorporated in any product, unless permission is obtained in writing from OKW Enclosures Ltd.