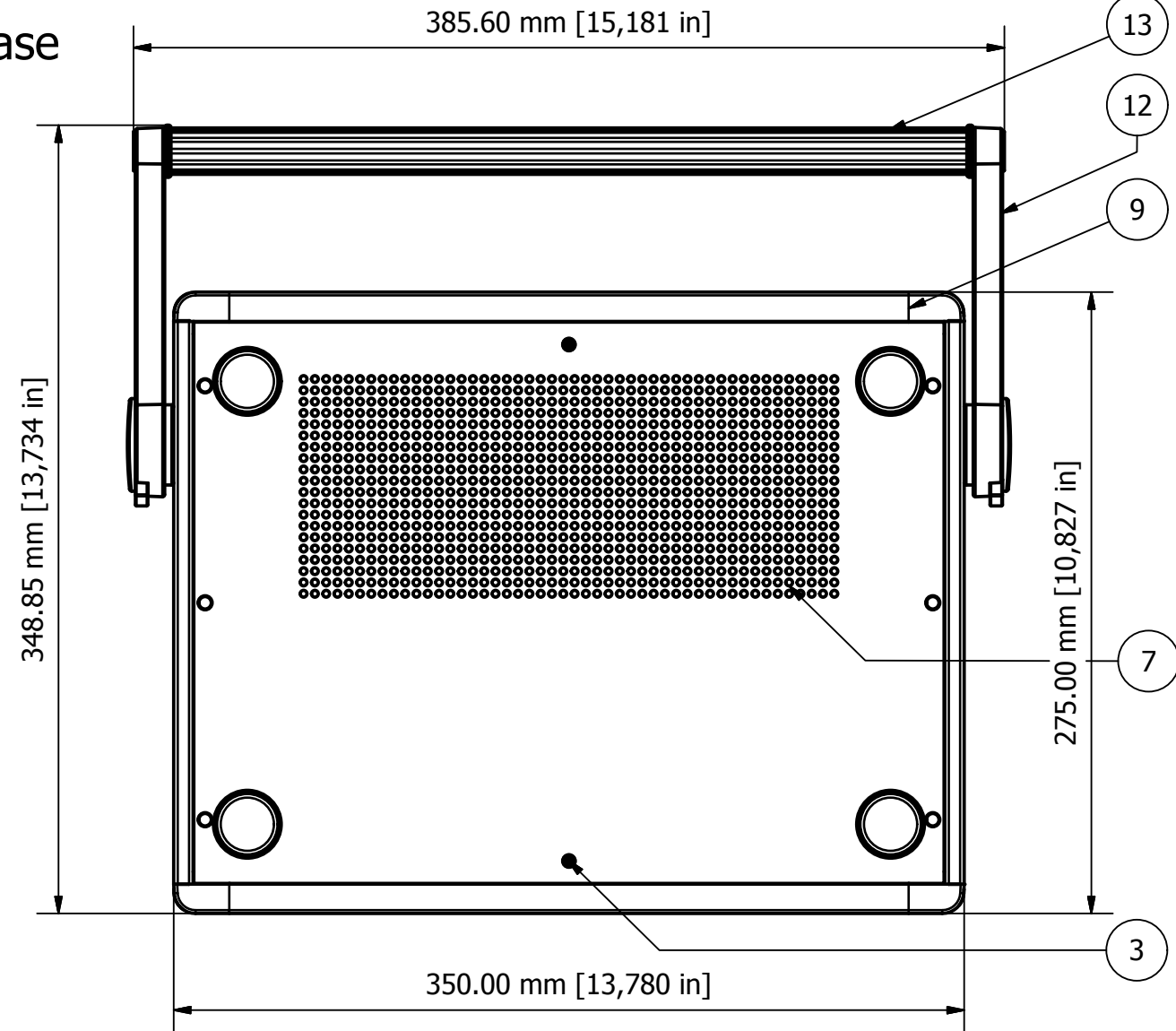
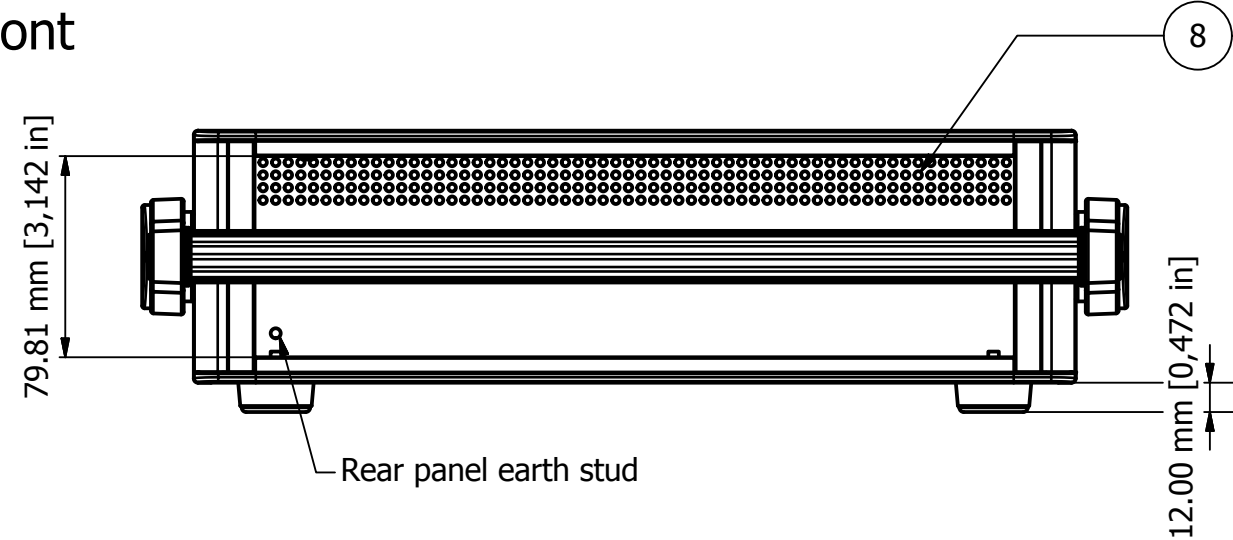


Base

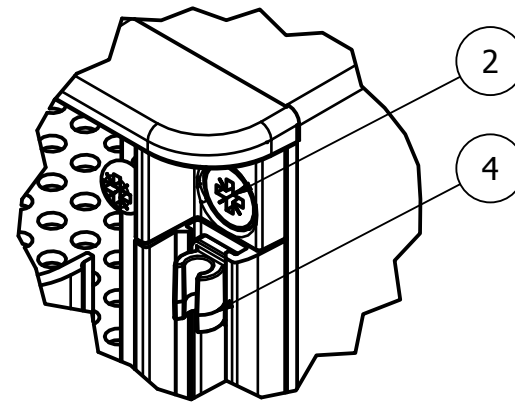


Front

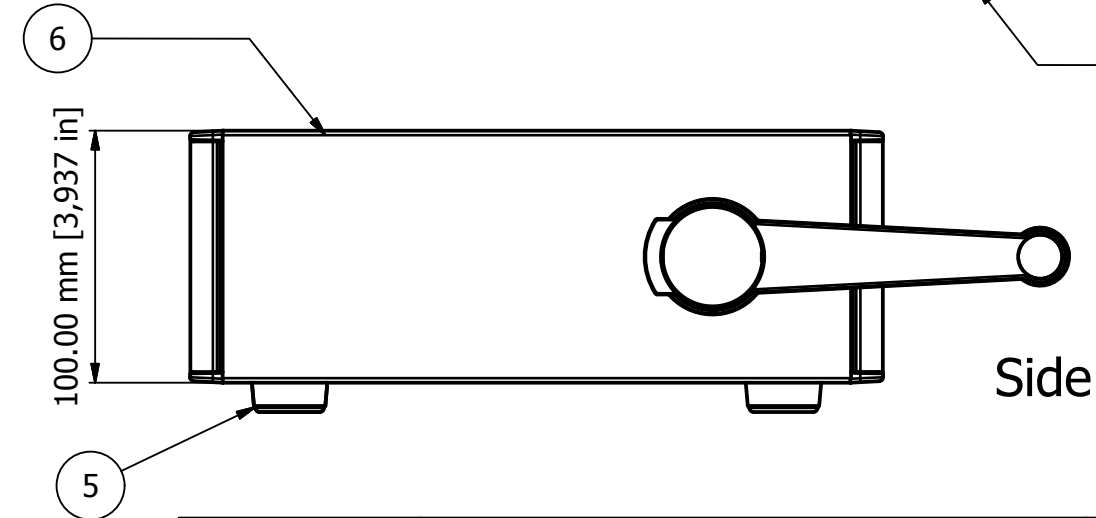
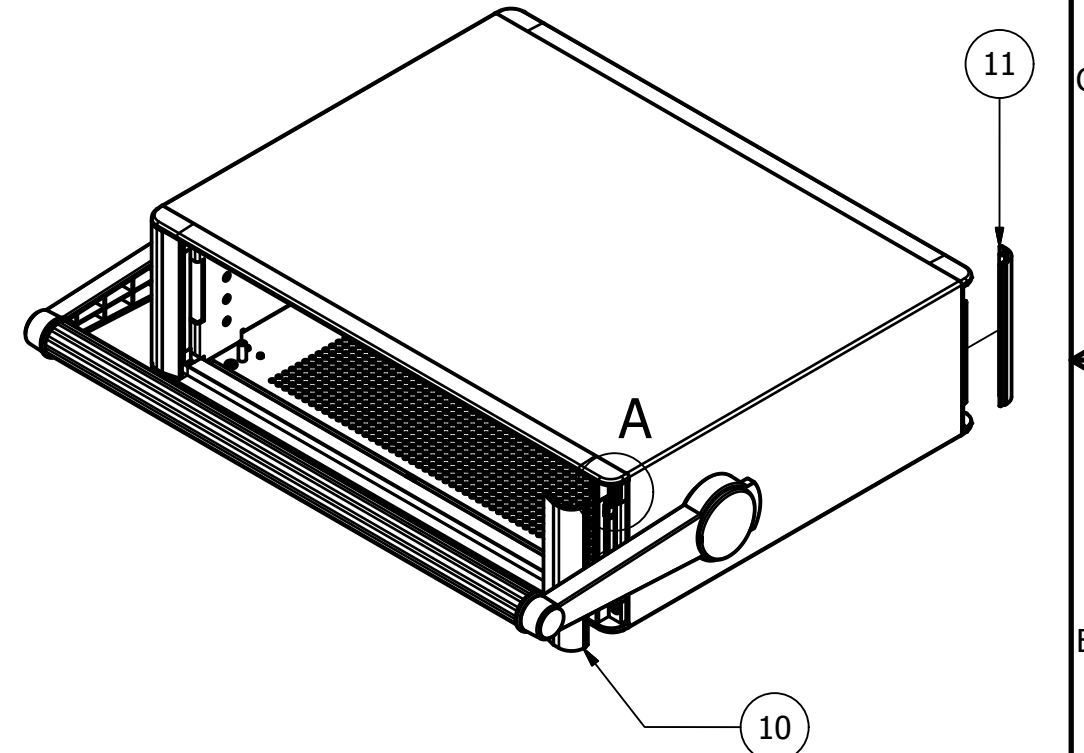


Front panel (M6400705) sold separately

A



PARTS LIST			
ITEM	QTY	PART NUMBER	DESCRIPTION
1	8	M3x8mm Pan	Rear/Front Panel Screws
2	8	M4x16mm CSK	Bezel Assembly Screws
3	2	M3x6mm CSK	Base Panel Screws
4	8	M6420000	Clips for Trims
5	4	M6420105	Technofeet
6	1	M6402625	Wrap Around Cover
7	1	M6403365	Base/Internal Sides Sub-Assy
8	1	M6403465	Rear Panel - 1.5 mm thick
9	2	M6401065	Front/Rear Bezel
10	2	M6400053	Front Trim
11	2	M6400073	Rear Trim
12	2	AS054231	Bail Arm Kit
13	1	M6404355	Handle Bar

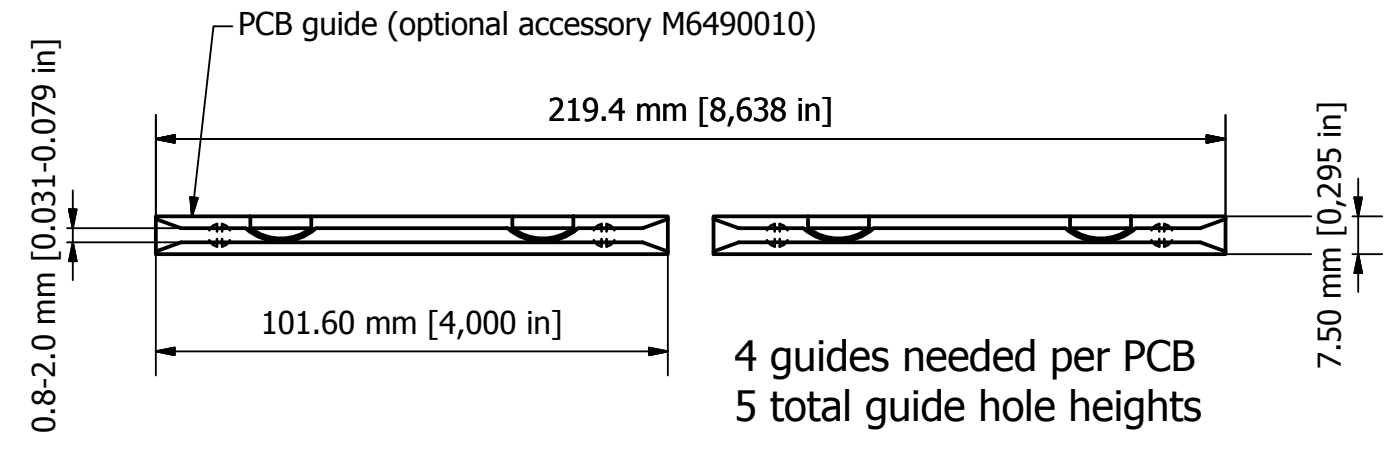
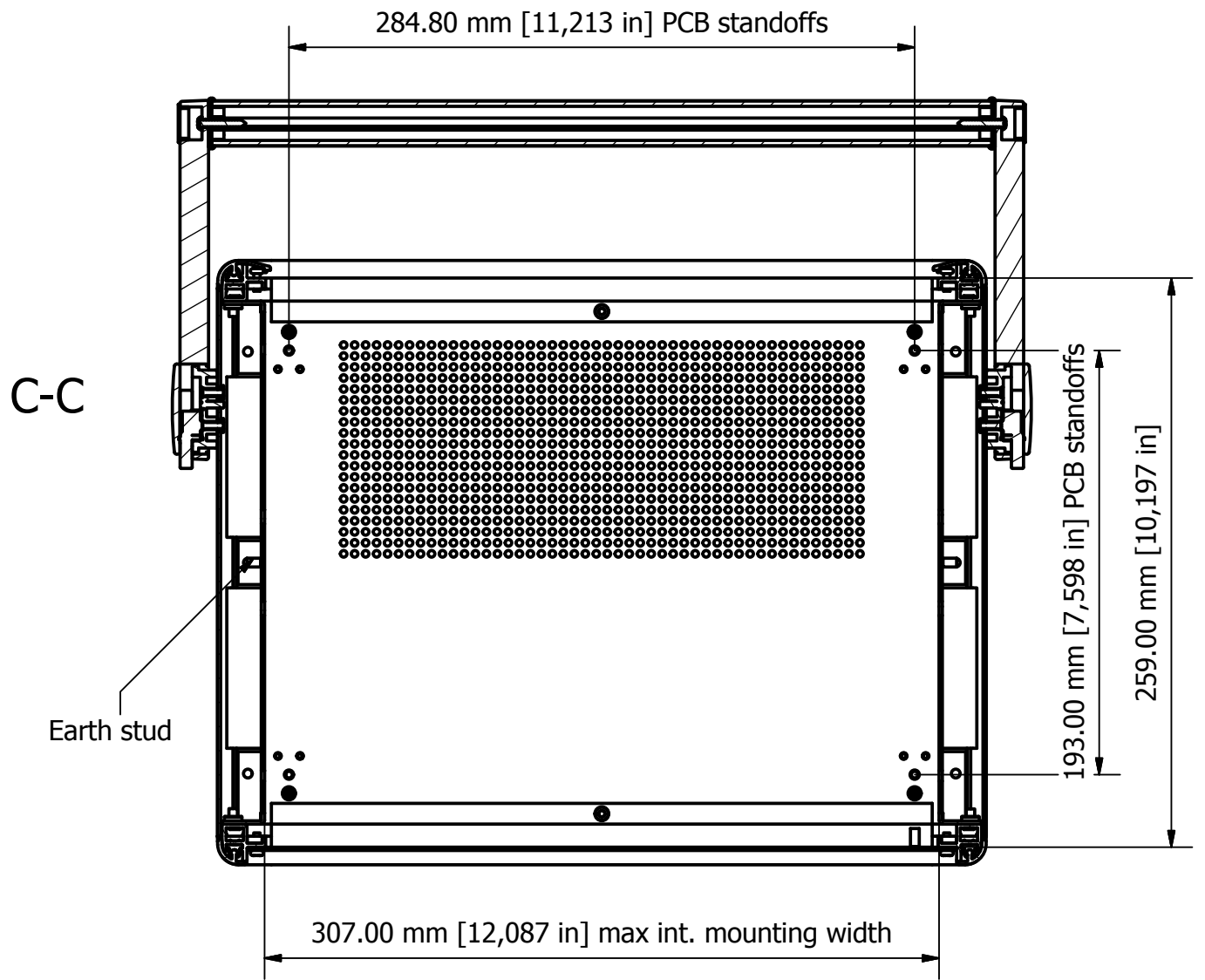
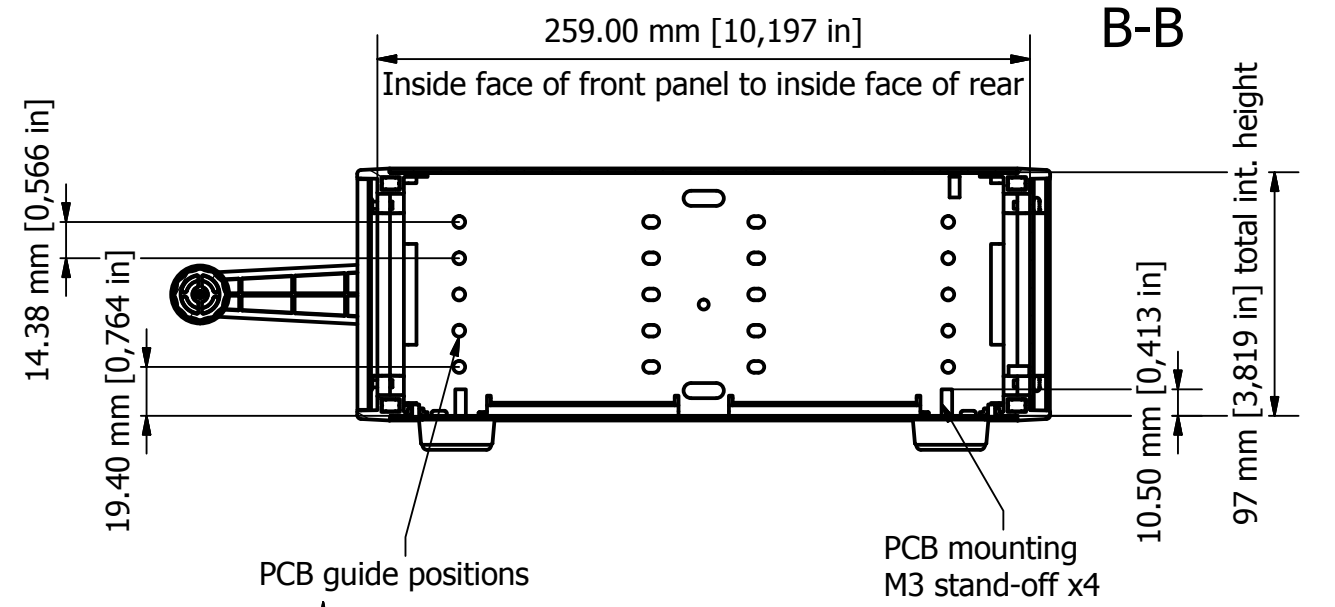
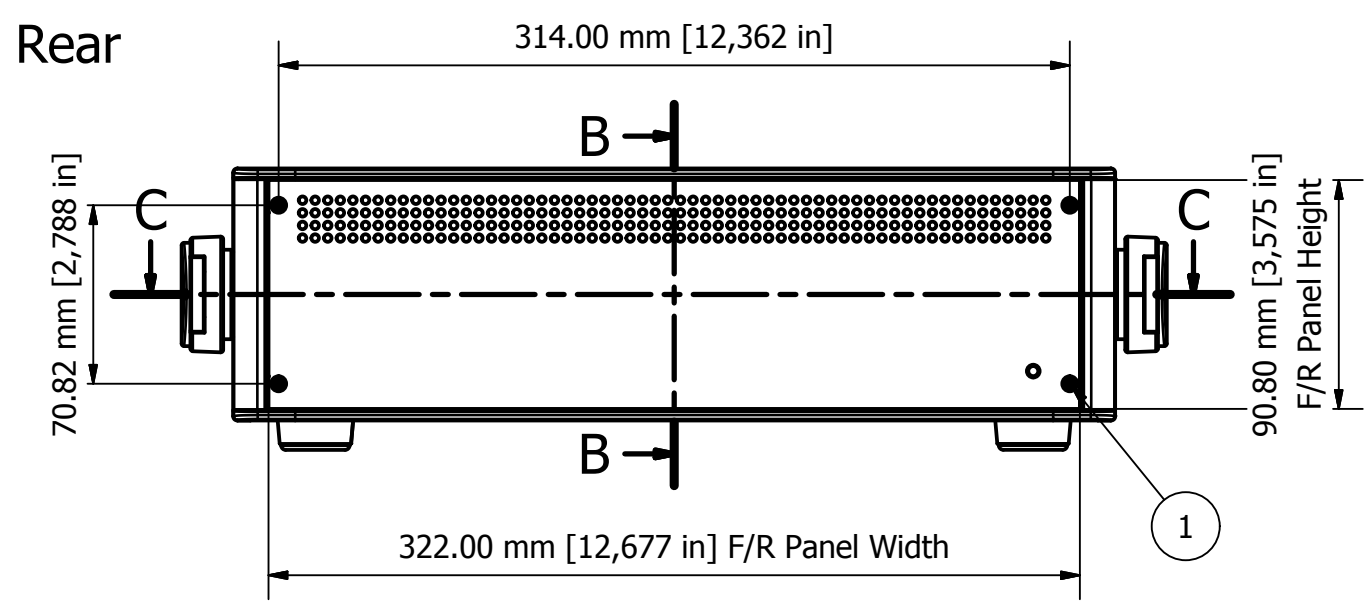


Side

FIRST ANGLE PROJECTION

Designed by L Clark	Description Technomet R310H - Light Grey RAL 7035	Date 21/10/2016	Scale 1:3
METCASE ENCLOSURES 15 Brunel Way, Segensworth East, Fareham, Hampshire, PO15 5TX, UK. Tel: +44 (0)1489 583858 Email: sales@metcase.co.uk		METcase™ www.metcase.com Part Number M6435135	
		Issue 1	Sheet 1 / 2

© OKW Enclosures Ltd (Date as shown). This drawing contains proprietary information of OKW Enclosures Ltd and is tendered subject to the following conditions. The information be retained in confidence, not be reproduced or copied, and not be used or incorporated in any product, unless permission is obtained in writing from OKW Enclosures Ltd.



Suggested max PCB profile
(For PCB pillars or card guide accessory)

- Notes:
- 1) Case is fabricated from 1.5 mm aluminium sheet with diecast and extrusion bezels.
 - 2) Case is powder coat painted RAL 7035 fine texture light grey.
 - 3) Supplied with 4 colour matching Technofeet.
 - 4) Cover, rear and chassis assembly all have M4 x 8 mm earth studs.
 - 5) Front panel screws supplied with each case. (M3 x 8 mm pan).

FIRST ANGLE PROJECTION

Designed by L Clark	Description Technomet R310H - Anthracite RAL 7016	Date 21/10/2016	Scale 1:3
METCASE ENCLOSURES 15 Brunel Way, Segensworth East, Fareham, Hampshire, PO15 5TX, UK. Tel: +44 (0)1489 583858 Email: sales@metcase.co.uk		METcase™ www.metcase.com Part Number M6435134	
		Issue 1	Sheet 2 / 2

© OKW Enclosures Ltd (Date as shown). This drawing contains proprietary information of OKW Enclosures Ltd and is tendered subject to the following conditions. The information be retained in confidence, not be reproduced or copied, and not be used or incorporated in any product, unless permission is obtained in writing from OKW Enclosures Ltd.