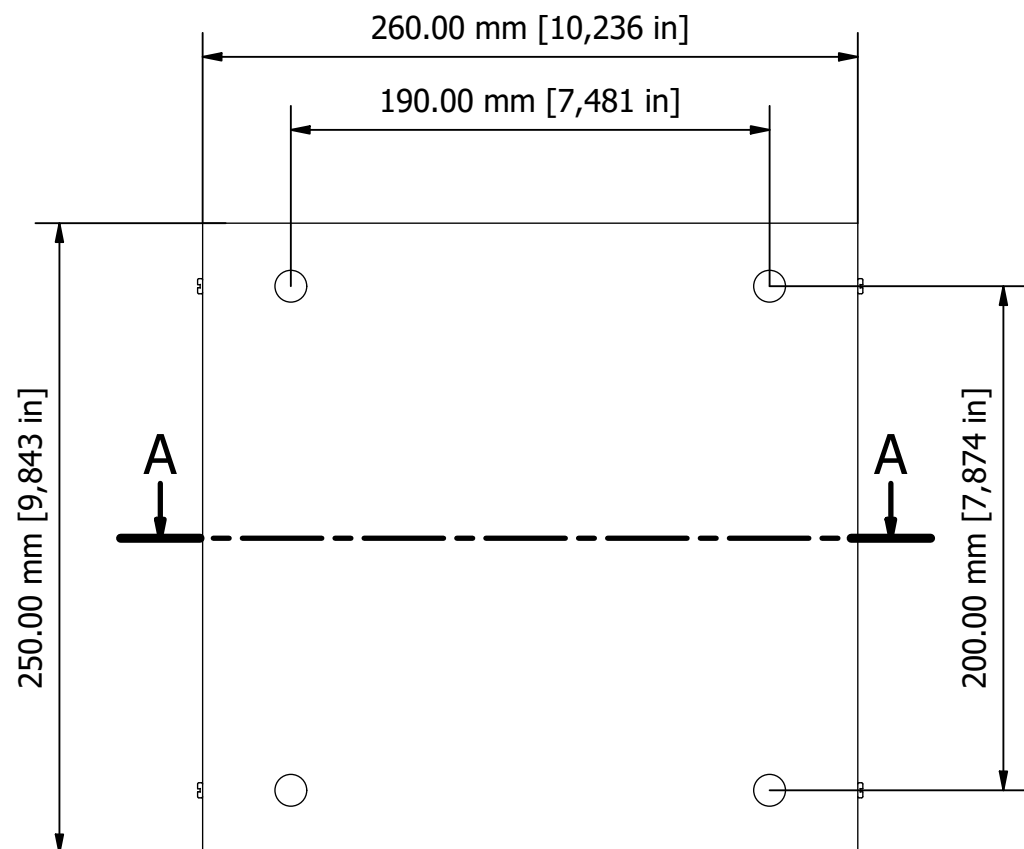
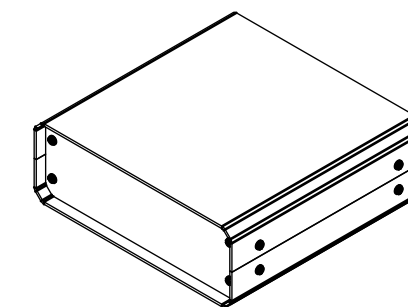
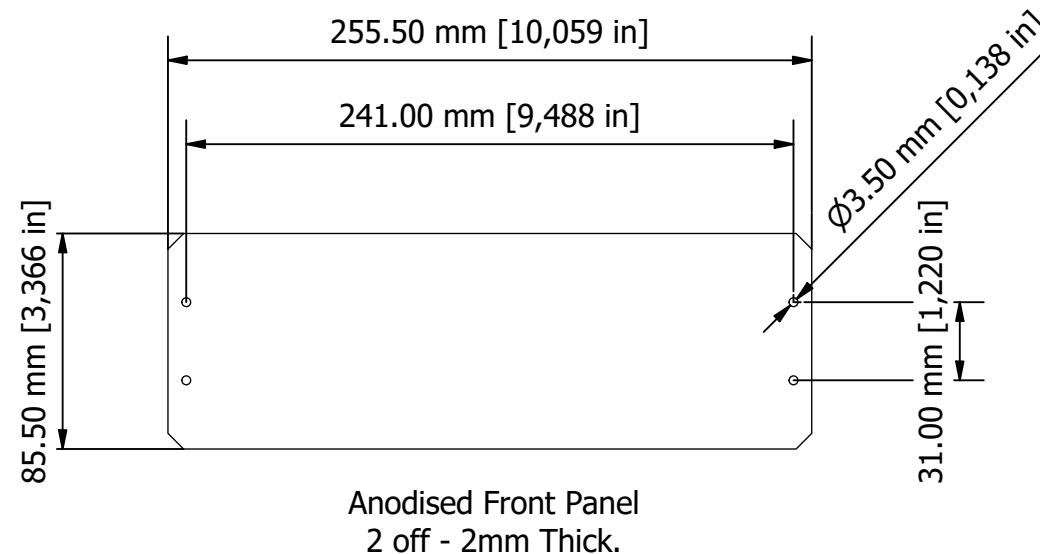


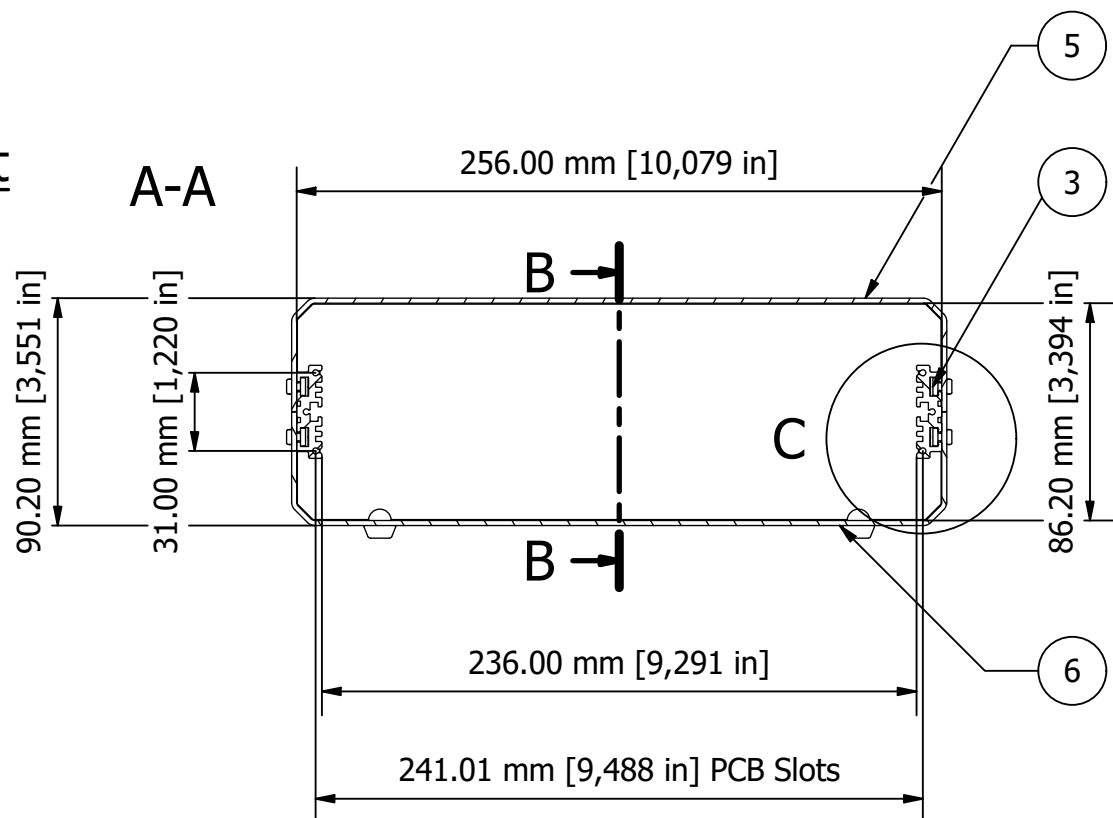
**Base**



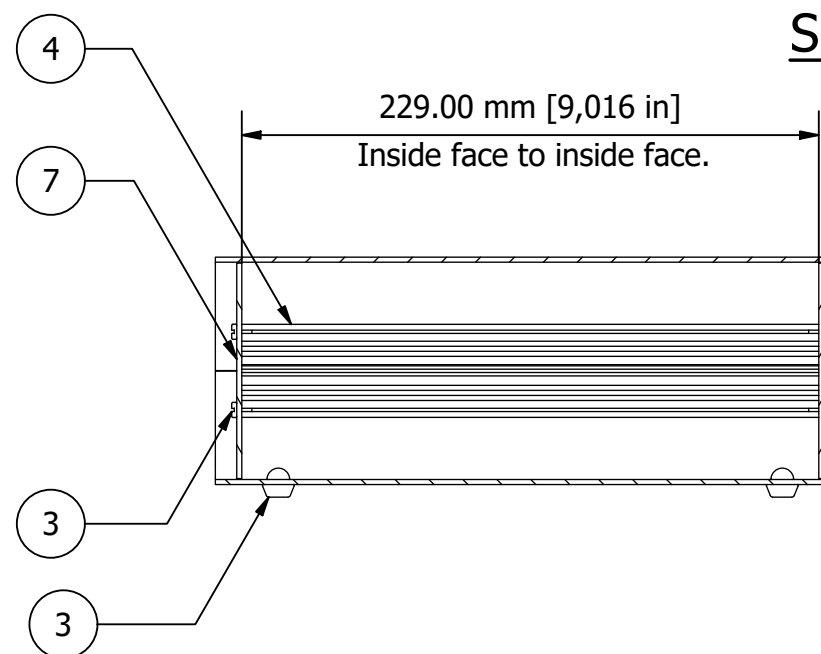
PARTS LIST			
ITEM	QTY	PART NUMBER	DESCRIPTION
3	1	M5403016	Unibase Assembly Kit
4	2	M5400003	Extrusion
5	1	M5401004	Top Cover
6	1	M5401116	Base Panel
7	2	M5402002	Front/Rear Panels



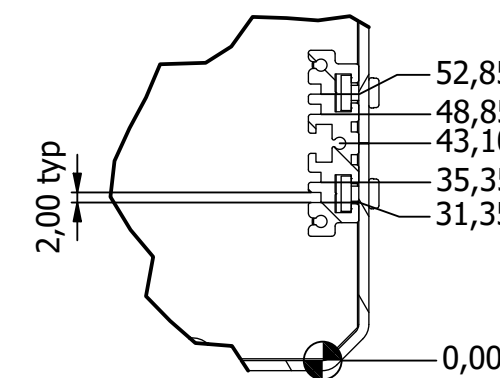
**Front**



**Side**



**Detail C**



FIRST ANGLE PROJECTION

Designed by L Clark	Description UNICASE 2 LIGHT GREY	Date 26/05/2015	Scale 1:3
<b>METCASE ENCLOSURES</b> 15 Brunel Way, Segensworth East, Fareham, Hampshire, UK. PO15 5TX Tel: +44 (0)1489 583858 Email: metcase@okw.co.uk		<b>METcase™</b> www.metcase.com Part Number M5502110	
		Issue 1	Sheet 1 / 1

© OKW Enclosures Ltd (Date as shown). This drawing contains proprietary information of OKW Enclosures Ltd and is tendered subject to the following conditions. The information be retained in confidence, not be reproduced or copied, and not be used or incorporated in any product, unless permission is obtained in writing from OKW Enclosures Ltd.