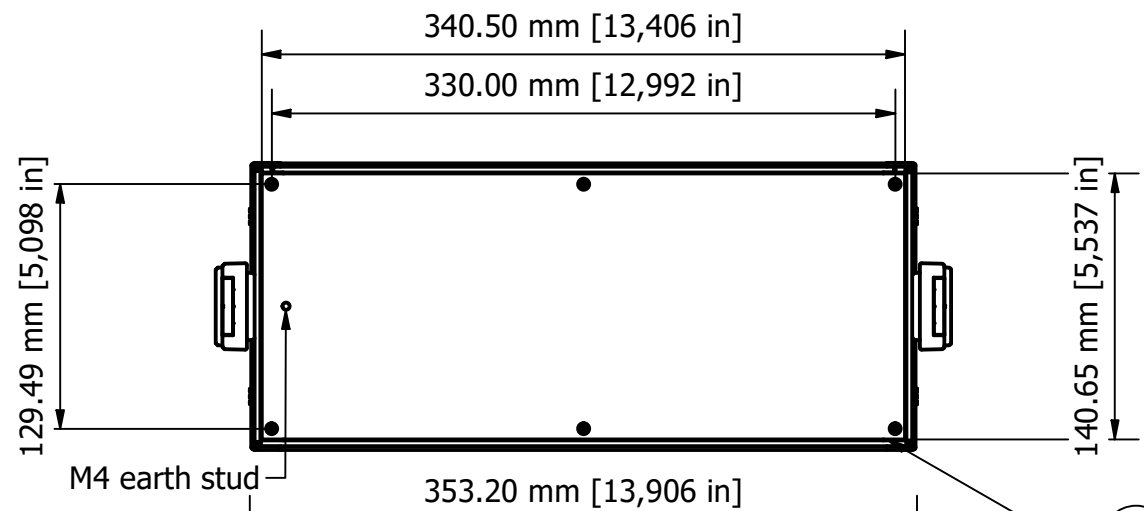
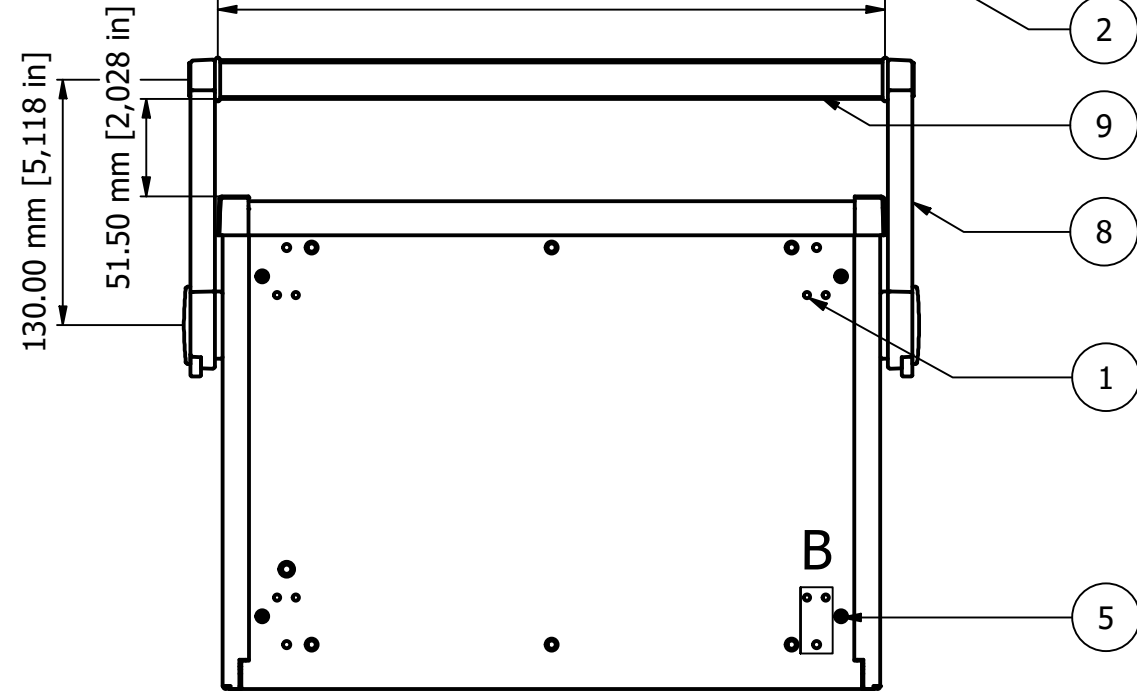


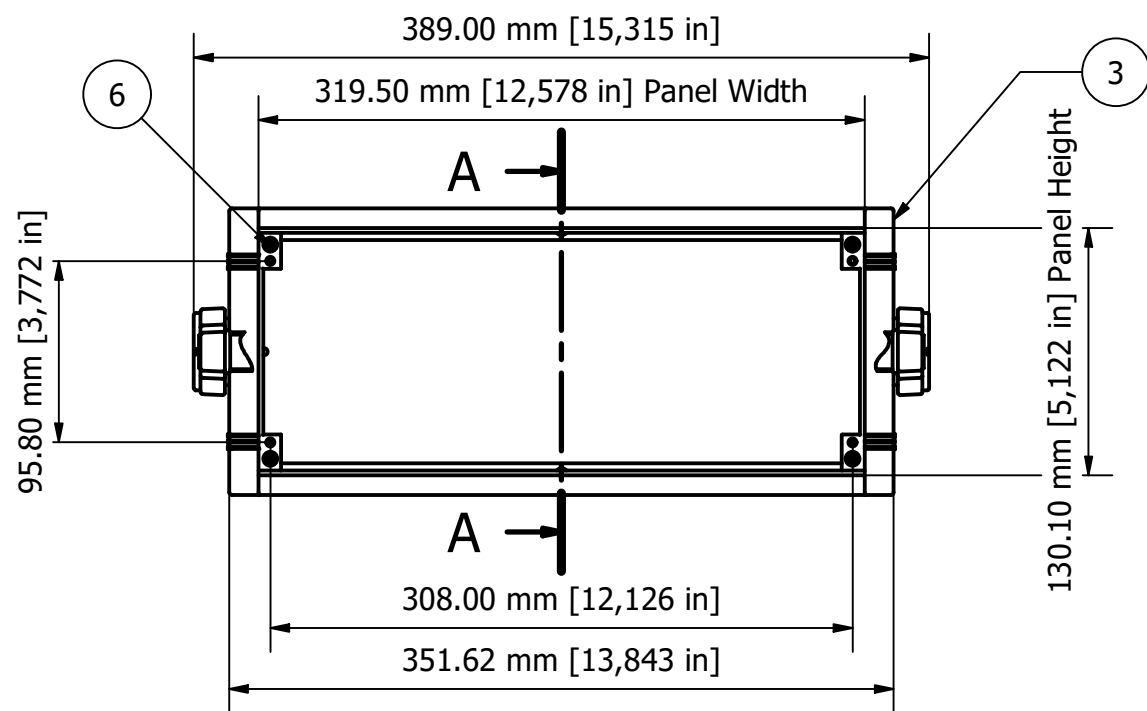
Rear



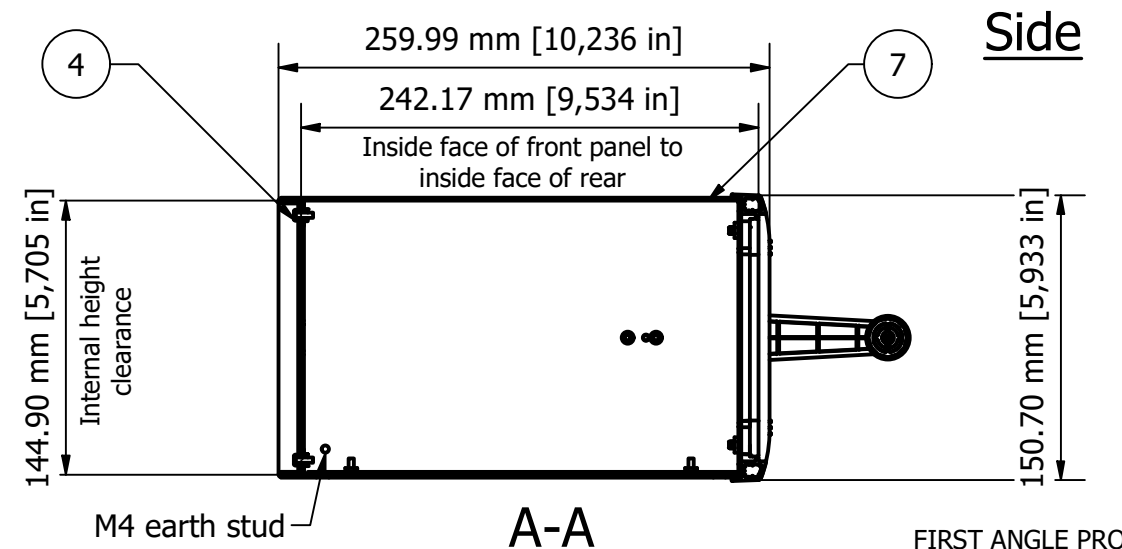
Base



Front



Side

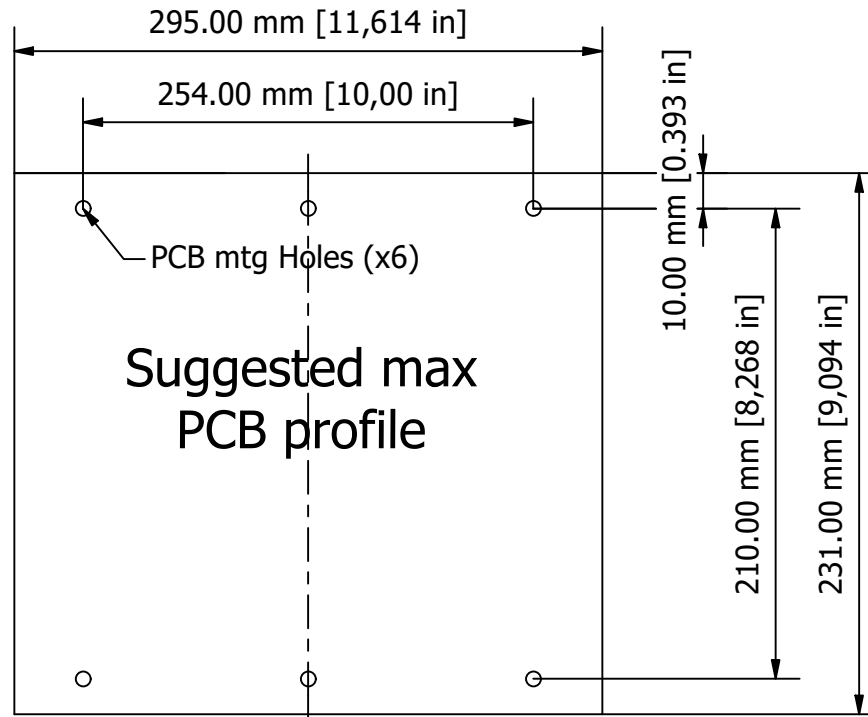


Notes:

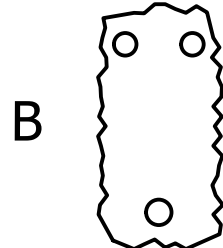
- 1) Case is fabricated from 1.5 mm aluminium sheet with die cast & extrusion bezels.
- 2) Case is powder coat painted fine texture with RAL 7040 bezels and RAL 7035 panels.

PARTS LIST

ITEM	QTY	PART NUMBER	DESCRIPTION
1	1	M56U1003	Base Panel
2	1	M56U2006	Rear Panel
3	1	M5605006	Bezel
4	6	M3 x 8 mm Pan Screw	Rear Panel Screws
5	4	M3 x 8 mm CSK Screw	Base Panel Screws
6	4	M4 x 16 mm CSK Screw	Bezel Fixing Screws
7	1	M56U1056H	Top Cover
8	2	AS054231	Side Arm Kit
9	1	M5600035	Handle Bar



Foot hole detail:
2 holes Ø 3,30 mm [0.13 in] & 1 hole Ø 3,80 mm [0.15 in]



Designed by L Clark	Description Unimet 6H	Date 11/12/2012	Scale 1:4
METCASE ENCLOSURES 15 Brunel Way, Segensworth East, Fareham, Hampshire, UK. PO15 5TX Tel: +44 (0)1489 583858 Email: metcase@okw.co.uk		METcase™ www.metcase.com Part Number M5635325	
		Issue 2	Sheet 1 / 1